



Is Now Part of



**ON Semiconductor®**

To learn more about ON Semiconductor, please visit our website at  
[www.onsemi.com](http://www.onsemi.com)

ON Semiconductor and the ON Semiconductor logo are trademarks of Semiconductor Components Industries, LLC dba ON Semiconductor or its subsidiaries in the United States and/or other countries. ON Semiconductor owns the rights to a number of patents, trademarks, copyrights, trade secrets, and other intellectual property. A listing of ON Semiconductor's product/patent coverage may be accessed at [www.onsemi.com/site/pdf/Patent-Marking.pdf](http://www.onsemi.com/site/pdf/Patent-Marking.pdf). ON Semiconductor reserves the right to make changes without further notice to any products herein. ON Semiconductor makes no warranty, representation or guarantee regarding the suitability of its products for any particular purpose, nor does ON Semiconductor assume any liability arising out of the application or use of any product or circuit, and specifically disclaims any and all liability, including without limitation special, consequential or incidental damages. Buyer is responsible for its products and applications using ON Semiconductor products, including compliance with all laws, regulations and safety requirements or standards, regardless of any support or applications information provided by ON Semiconductor. "Typical" parameters which may be provided in ON Semiconductor data sheets and/or specifications can and do vary in different applications and actual performance may vary over time. All operating parameters, including "Typicals" must be validated for each customer application by customer's technical experts. ON Semiconductor does not convey any license under its patent rights nor the rights of others. ON Semiconductor products are not designed, intended, or authorized for use as a critical component in life support systems or any FDA Class 3 medical devices or medical devices with a same or similar classification in a foreign jurisdiction or any devices intended for implantation in the human body. Should Buyer purchase or use ON Semiconductor products for any such unintended or unauthorized application, Buyer shall indemnify and hold ON Semiconductor and its officers, employees, subsidiaries, affiliates, and distributors harmless against all claims, costs, damages, and expenses, and reasonable attorney fees arising out of, directly or indirectly, any claim of personal injury or death associated with such unintended or unauthorized use, even if such claim alleges that ON Semiconductor was negligent regarding the design or manufacture of the part. ON Semiconductor is an Equal Opportunity/Affirmative Action Employer. This literature is subject to all applicable copyright laws and is not for resale in any manner.



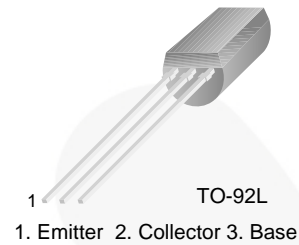
October 2014

# KSC2328A

## NPN Epitaxial Silicon Transistor

### Features

- Audio Power Amplifier Application
- Complement to KSA928A
- 3 W Output Application



### Ordering Information

| Part Number | Top Mark  | Package  | Packing Method |
|-------------|-----------|----------|----------------|
| KSC2328AOTA | C2328A O- | TO-92 3L | Ammo           |
| KSC2328AYBU | C2328A Y- | TO-92 3L | Bulk           |
| KSC2328AYTA | C2328A Y- | TO-92 3L | Ammo           |

### Absolute Maximum Ratings

Stresses exceeding the absolute maximum ratings may damage the device. The device may not function or be operable above the recommended operating conditions and stressing the parts to these levels is not recommended. In addition, extended exposure to stresses above the recommended operating conditions may affect device reliability. The absolute maximum ratings are stress ratings only. Values are at  $T_A = 25^\circ\text{C}$  unless otherwise noted.

| Symbol    | Parameter                 | Value       | Unit             |
|-----------|---------------------------|-------------|------------------|
| $V_{CBO}$ | Collector-Base Voltage    | 30          | V                |
| $V_{CEO}$ | Collector-Emitter Voltage | 30          | V                |
| $V_{EBO}$ | Emitter-Base Voltage      | 5           | V                |
| $I_C$     | Collector Current         | 2           | A                |
| $T_J$     | Junction Temperature      | 150         | $^\circ\text{C}$ |
| $T_{STG}$ | Storage Temperature       | -55 to +150 | $^\circ\text{C}$ |

KSC2328A — NPN Epitaxial Silicon Transistor

**Thermal Characteristics<sup>(1)</sup>**

Values are at  $T_A = 25^\circ\text{C}$  unless otherwise noted.

| Symbol          | Parameter                               | Value | Unit                      |
|-----------------|---|-------|---------------------------|
| $P_D$           | Power Dissipation                       | 1000  | mW                        |
|                 | Derate Above $25^\circ\text{C}$         | 8.0   | mW/ $^\circ\text{C}$      |
| $R_{\theta JA}$ | Thermal Resistance, Junction-to-Ambient | 125   | $^\circ\text{C}/\text{W}$ |

**Note:**

1. PCB size: FR-4, 76 mm x 114 mm x 1.57 mm (3.0 inch x 4.5 inch x 0.062 inch) with minimum land pattern size.

**Electrical Characteristics**

Values are at  $T_A = 25^\circ\text{C}$  unless otherwise noted.

| Symbol        | Parameter                            | Conditions   | Min. | Typ. | Max. | Unit |
|---------------|--------------------------------------|--|------|------|------|------|
| $BV_{CBO}$    | Collector-Base Breakdown Voltage     | $I_C = 100 \mu\text{A}$ , $I_E = 0$                          | 30   |      |      | V    |
| $BV_{CEO}$    | Collector-Emitter Breakdown Voltage  | $I_C = 10 \text{ mA}$ , $I_B = 0$                            | 30   |      |      | V    |
| $BV_{EBO}$    | Emitter-Base Breakdown Voltage       | $I_E = 1 \text{ mA}$ , $I_C = 0$                             | 5    |      |      | V    |
| $I_{CBO}$     | Collector Cut-Off Current            | $V_{CB} = 30 \text{ V}$ , $I_E = 0$                          |      |      | 100  | nA   |
| $I_{EBO}$     | Emitter Cut-Off Current              | $V_{EB} = 5 \text{ V}$ , $I_C = 0$                           |      |      | 100  | nA   |
| $h_{FE}$      | DC Current Gain                      | $V_{CE} = 2 \text{ V}$ , $I_C = 500 \text{ mA}$              | 100  |      | 320  |      |
| $V_{BE(on)}$  | Base-Emitter On Voltage              | $V_{CE} = 2 \text{ V}$ , $I_C = 500 \text{ mA}$              |      |      | 1.0  | V    |
| $V_{CE(sat)}$ | Collector-Emitter Saturation Voltage | $I_C = 1.5 \text{ A}$ , $I_B = 0.03 \text{ A}$               |      |      | 2.0  | V    |
| $f_T$         | Current Gain Bandwidth Product       | $V_{CE} = 2 \text{ V}$ , $I_C = 500 \text{ mA}$              |      | 120  |      | MHz  |
| $C_{ob}$      | Collector Output Capacitance         | $V_{CB} = 10 \text{ V}$ , $I_E = 0$ ,<br>$f = 1 \text{ MHz}$ |      | 30   |      | pF   |

 **$h_{FE}$  Classification**

| Classification | O         | Y         |
|----------------|-----------|-----------|
| $h_{FE}$       | 100 ~ 200 | 160 ~ 320 |

## Typical Performance Characteristics

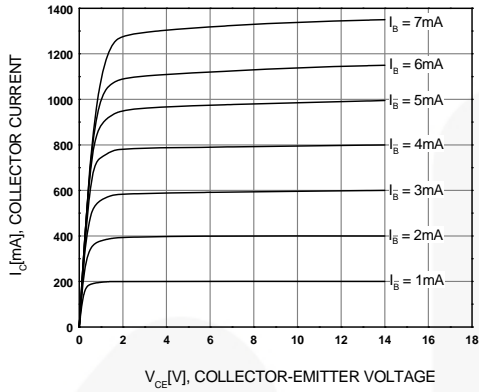


Figure 1. Static Characteristic

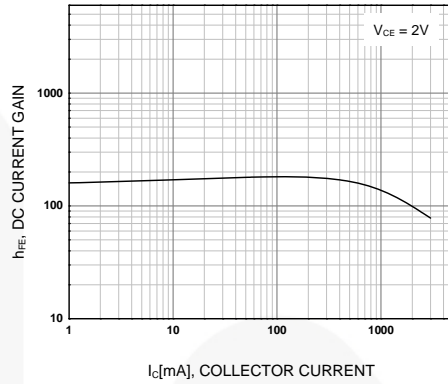


Figure 2. DC Current Gain

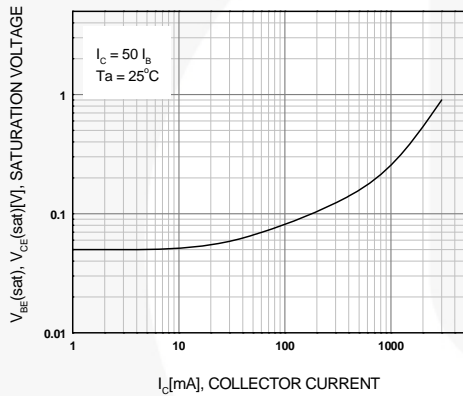


Figure 3. Collector-Emitter Saturation Voltage

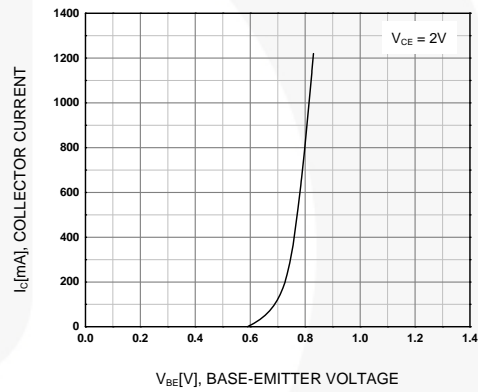


Figure 4. Base-Emitter On Voltage

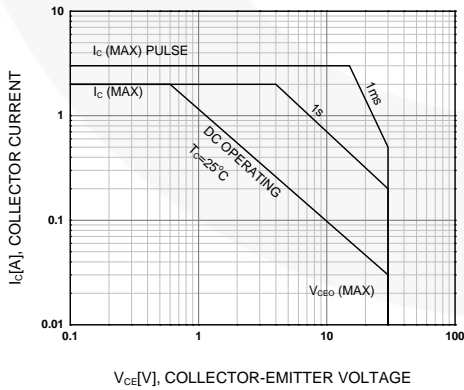


Figure 5. Safe Operating Area

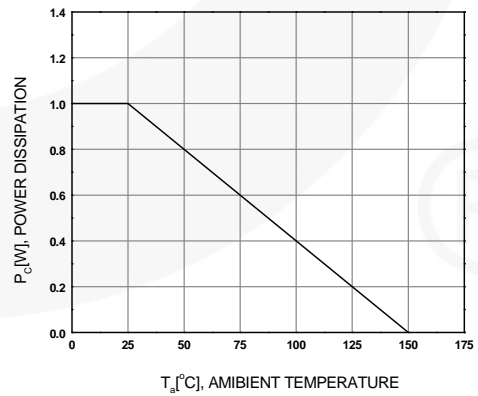
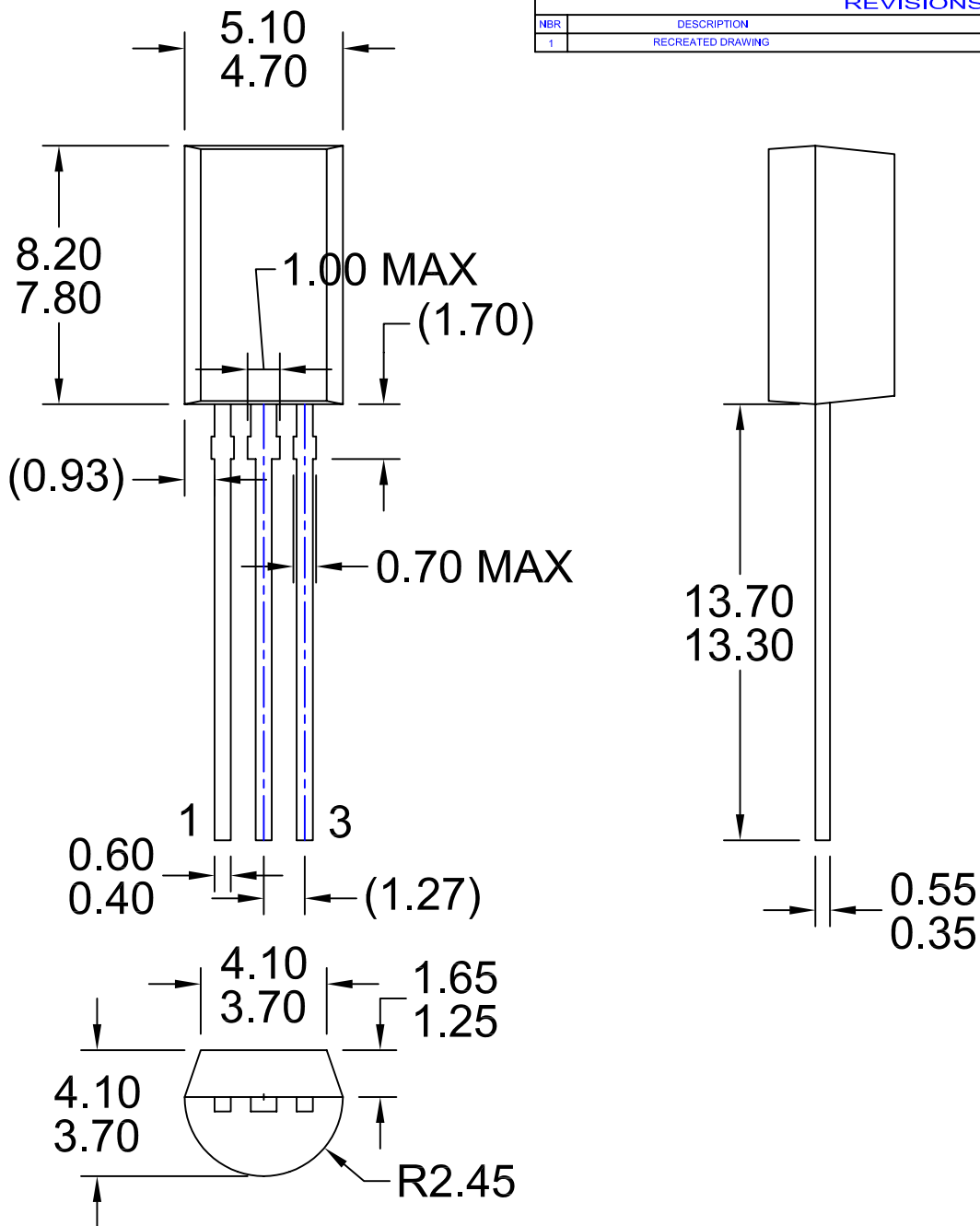


Figure 6. Power Derating


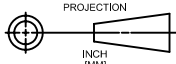
REVISIONS

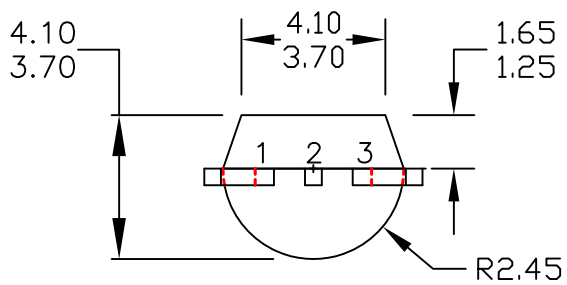
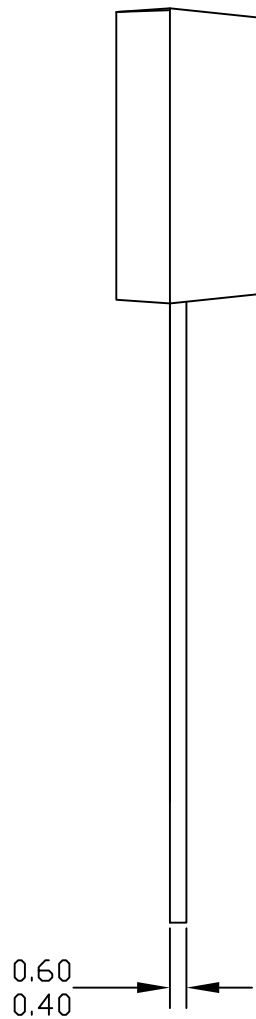
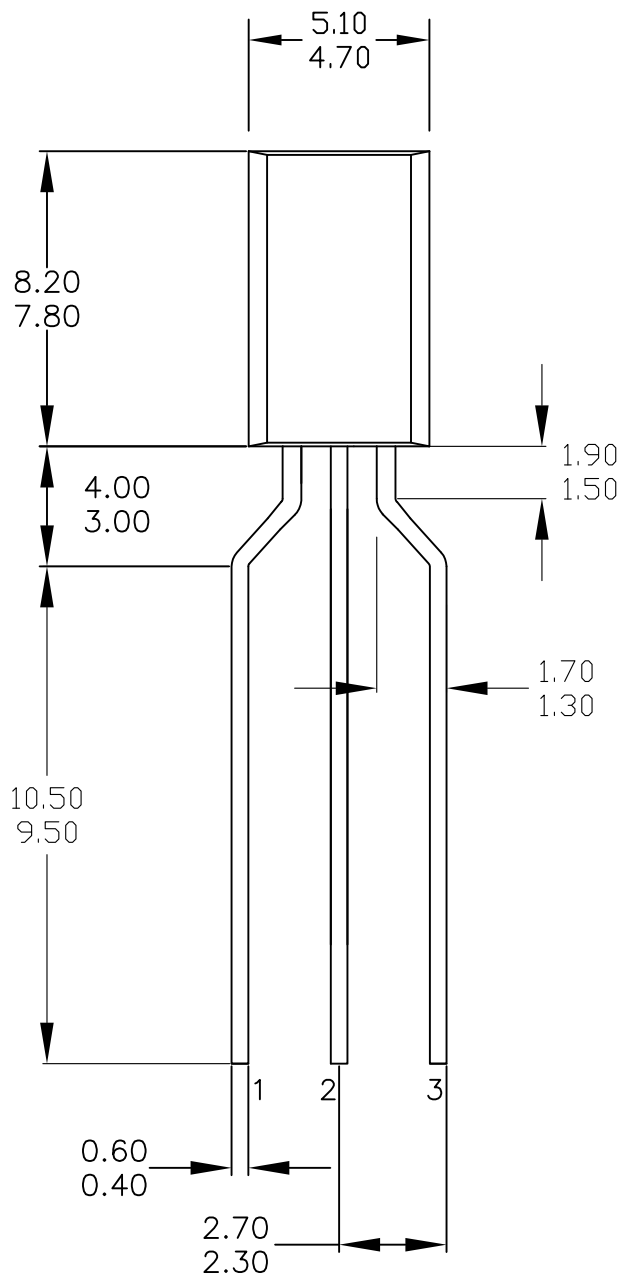
| NBR | DESCRIPTION       | DATE       | BY/SITE         |
|-----|-------------------|------------|-----------------|
| 1   | RECREATED DRAWING | 10 JULY 08 | L.HUEBENER/FSME |



NOTES: UNLESS OTHERWISE SPECIFIED

- A) THIS PACKAGE DOES NOT CONFORM TO ANY STANDARD
- B) ALL DIMENSIONS ARE IN MILLIMETERS.
- C) DIMENSIONS ARE EXCLUSIVE OF BURRS, MOLD FLASH, AND TIE BAR EXTRUSIONS.
- D) FORMERLY NAMED BD1409
- E) DRAWING FILE NAME: MKT-ZA03HREV1

|  |  |            |   |                |     |
|--|--|------------|---|----------------|-----|
| APPROVALS  |  | DATE       |  |                |     |
| DRAWN:<br>L.HUEBENER   |  | 10 JULY 08 |   |                |     |
| CHECKED:<br>H.ALLEN  |  | 10 DEC 08  |   |                |     |
| APPROVED:  |  |            |   |                |     |
|  |  |            | 3LD, TO92L, 8MM TALL BODY   |                |     |
|  |  | SCALE      | SIZE  | DRAWING NUMBER | REV |
|  |  | 1:1        | N/A   | MKT-ZA03H      | 1   |
| FORMERLY: N/A  |  |            | SHEET: 1 OF 1   |                |     |



NOTES: UNLESS OTHERWISE SPECIFIED

- A. THIS PACKAGE IS NOT PRESENTLY REGISTERED WITH ANY STANDARDS COMMITTEE.
- B. DIMENSIONS ARE EXCLUSIVE OF BURRS, MOLD FLASH, AND TIE BAR PROTRUSIONS.
- C. ALL DIMENSIONS ARE IN MILLIMETERS.
- D. DRAWING FILENAME: MKT-ZA03LREV1.
- E. FAIRCHILD SEMICONDUCTOR.

ON Semiconductor and  are trademarks of Semiconductor Components Industries, LLC dba ON Semiconductor or its subsidiaries in the United States and/or other countries. ON Semiconductor owns the rights to a number of patents, trademarks, copyrights, trade secrets, and other intellectual property. A listing of ON Semiconductor's product/patent coverage may be accessed at [www.onsemi.com/site/pdf/Patent-Marking.pdf](http://www.onsemi.com/site/pdf/Patent-Marking.pdf). ON Semiconductor reserves the right to make changes without further notice to any products herein. ON Semiconductor makes no warranty, representation or guarantee regarding the suitability of its products for any particular purpose, nor does ON Semiconductor assume any liability arising out of the application or use of any product or circuit, and specifically disclaims any and all liability, including without limitation special, consequential or incidental damages. Buyer is responsible for its products and applications using ON Semiconductor products, including compliance with all laws, regulations and safety requirements or standards, regardless of any support or applications information provided by ON Semiconductor. "Typical" parameters which may be provided in ON Semiconductor data sheets and/or specifications can and do vary in different applications and actual performance may vary over time. All operating parameters, including "Typicals" must be validated for each customer application by customer's technical experts. ON Semiconductor does not convey any license under its patent rights nor the rights of others. ON Semiconductor products are not designed, intended, or authorized for use as a critical component in life support systems or any FDA Class 3 medical devices or medical devices with a same or similar classification in a foreign jurisdiction or any devices intended for implantation in the human body. Should Buyer purchase or use ON Semiconductor products for any such unintended or unauthorized application, Buyer shall indemnify and hold ON Semiconductor and its officers, employees, subsidiaries, affiliates, and distributors harmless against all claims, costs, damages, and expenses, and reasonable attorney fees arising out of, directly or indirectly, any claim of personal injury or death associated with such unintended or unauthorized use, even if such claim alleges that ON Semiconductor was negligent regarding the design or manufacture of the part. ON Semiconductor is an Equal Opportunity/Affirmative Action Employer. This literature is subject to all applicable copyright laws and is not for resale in any manner.

## PUBLICATION ORDERING INFORMATION

### LITERATURE FULFILLMENT:

Literature Distribution Center for ON Semiconductor  
19521 E. 32nd Pkwy, Aurora, Colorado 80011 USA  
**Phone:** 303-675-2175 or 800-344-3860 Toll Free USA/Canada  
**Fax:** 303-675-2176 or 800-344-3867 Toll Free USA/Canada  
**Email:** [orderlit@onsemi.com](mailto:orderlit@onsemi.com)

**N. American Technical Support:** 800-282-9855 Toll Free  
USA/Canada  
**Europe, Middle East and Africa Technical Support:**  
Phone: 421 33 790 2910  
**Japan Customer Focus Center**  
Phone: 81-3-5817-1050

**ON Semiconductor Website:** [www.onsemi.com](http://www.onsemi.com)  
**Order Literature:** <http://www.onsemi.com/orderlit>  
For additional information, please contact your local  
Sales Representative