

**PART NUMBER CODING**  
**SFH213-PP\_C-D\_-ID-BK**

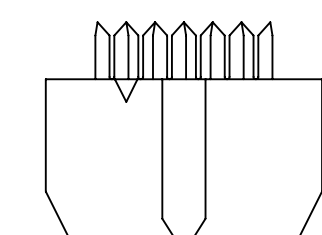
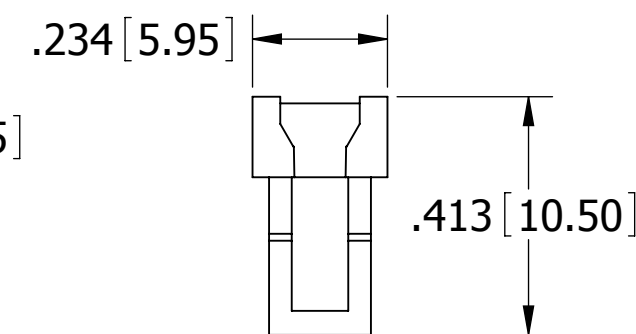
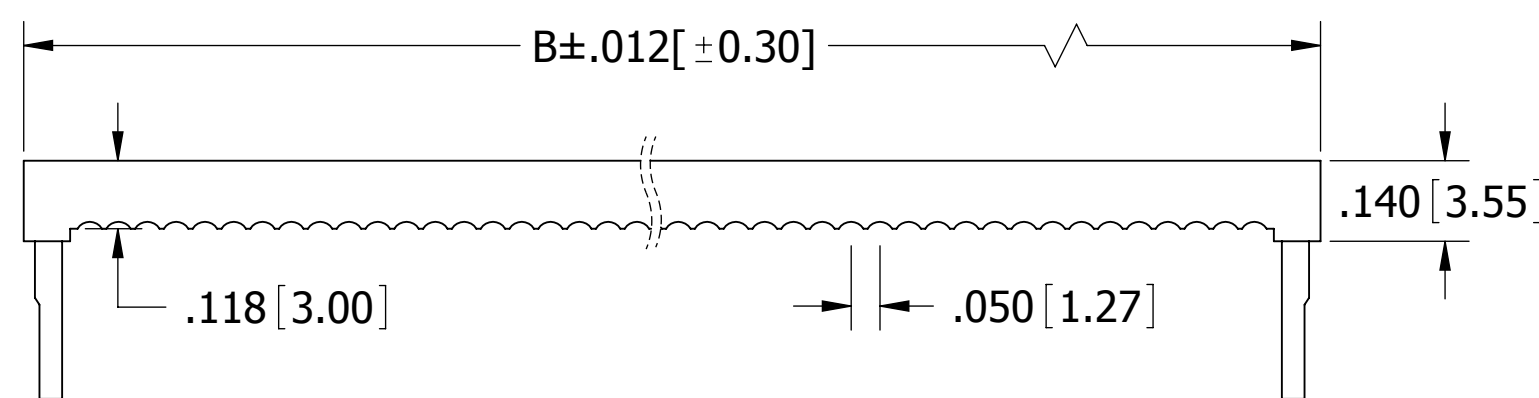
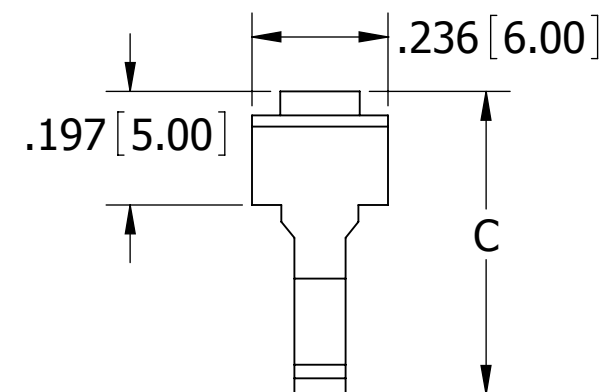
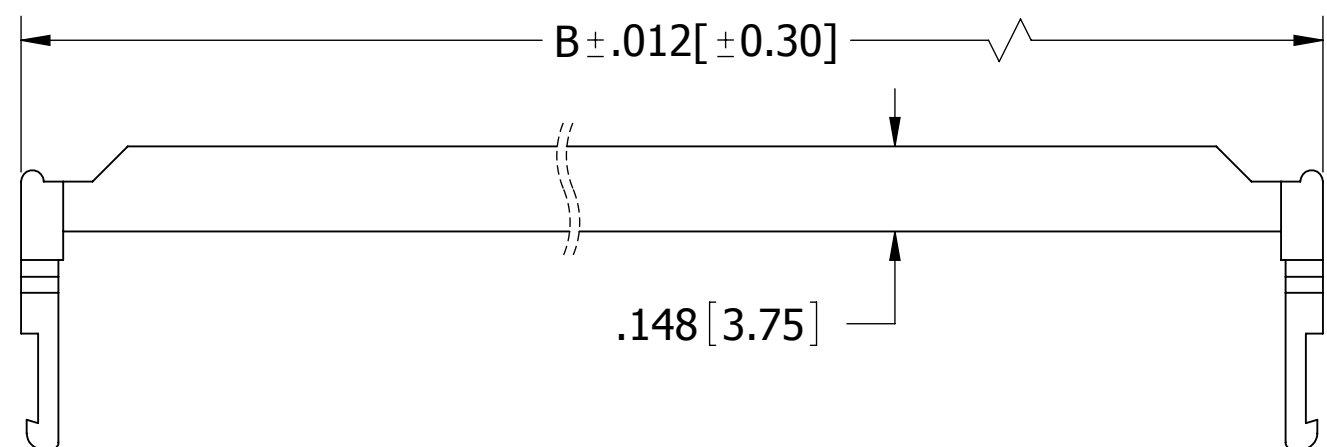
**COLOR**  
 BK= BLACK

**NUMBER OF POSITIONS**  
 (CONTACTS PER ROW)

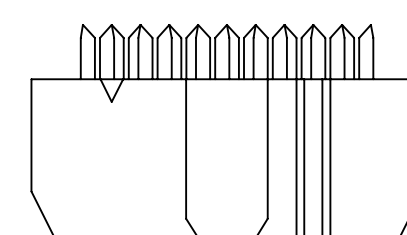
**PLATING**  
 (SEE PLATING TABLE)

PLATING TABLE	
CONTACT SURFACE	TERMINATION
P = GOLD FLASH	GOLD FLASH
V = GOLD FLASH	NICKEL
K = .000015" GOLD	NICKEL
J = .000015" GOLD	GOLD FLASH
E = .000100" PURE TIN, MATTE	.000100" PURE TIN, MATTE

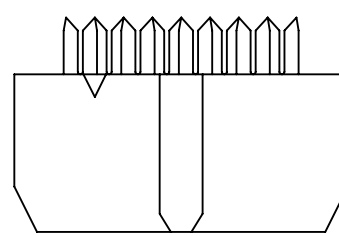
REVISIONS				
REV.	ECO. NO	DESCRIPTION	DATE	BY
A	1930	INITIAL RELEASE	3/17/2009	JH
B	2159	UPDATE NOTE 10 FOR FLAT RIBBON CABLE SPEC	07/05/2010	LH
C	3374	UPDATE DIMENSION TABLE ' C ' OF 03 AND 04 POSITION .526[13.35] (WAS .516[13.10]), REMOVE 30 AND 32 POSITION OF DIMENSION .047[1.20] ON PAGE 2	02/01/2015	LH



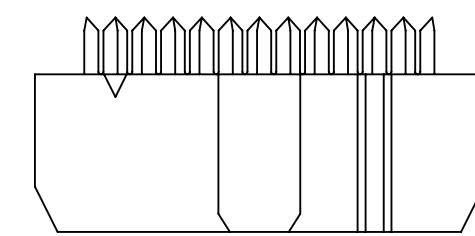
**(POSITION 03)**



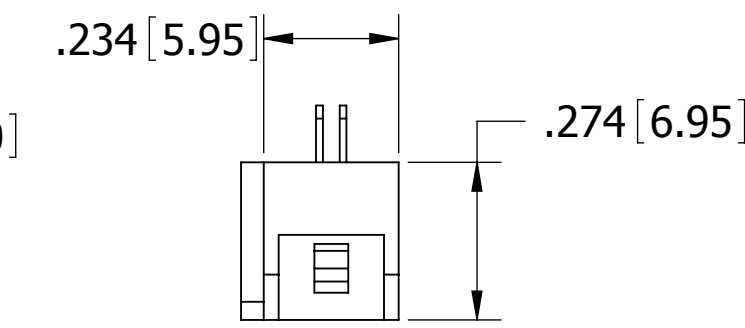
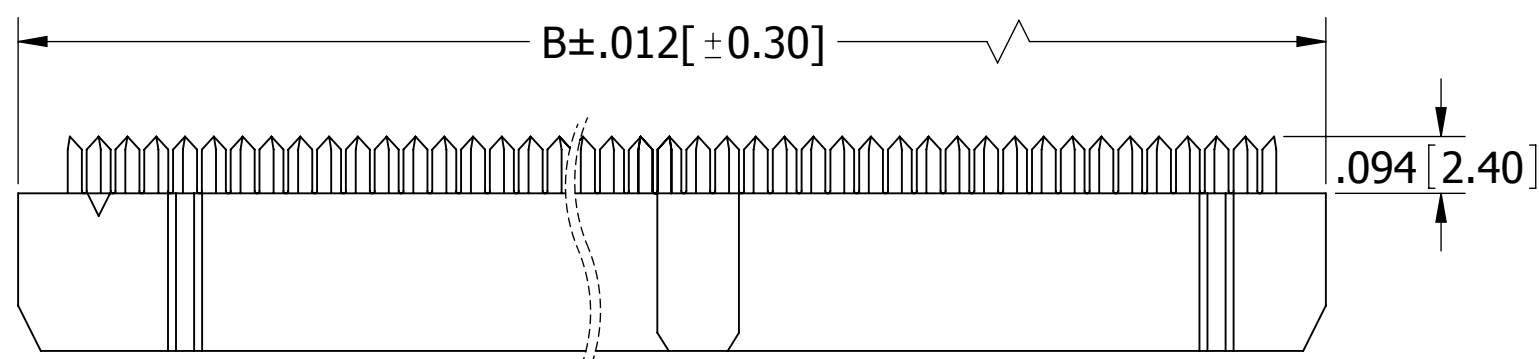
**(POSITION 05)**



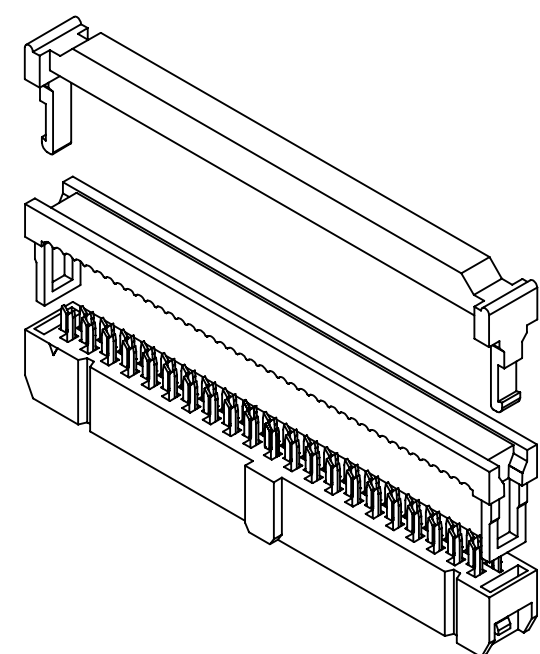
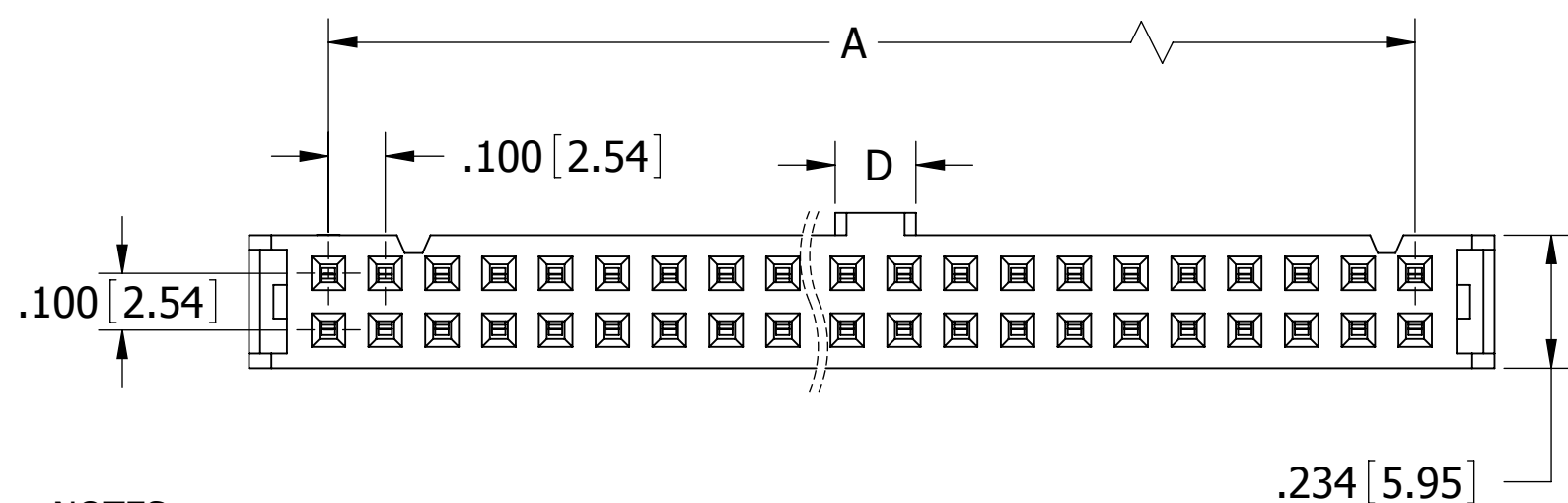
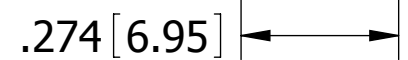
**(POSITION 04)**



**(POSITION 06)**



**(POSITION 07 THRU 25)**



PART NUMBER	POSITIONS/ CONTACTS	A		B		C		D	
		INCH	MM	INCH	MM	INCH	MM	INCH	MM
SFH213-PP_C-D03-ID-BK	03/06	0.200	5.08	0.480	12.18	0.526	13.35	0.075	1.90
SFH213-PP_C-D04-ID-BK	04/08	0.300	7.62	0.580	14.72				
SFH213-PP_C-D05-ID-BK	05/10	0.400	10.16	0.680	17.26				
SFH213-PP_C-D06-ID-BK	06/12	0.500	12.70	0.780	19.80	0.526	13.35	0.142	3.60
SFH213-PP_C-D07-ID-BK	07/14	0.600	15.24	0.880	22.34				
SFH213-PP_C-D08-ID-BK	08/16	0.700	17.78	0.980	24.88				
SFH213-PP_C-D09-ID-BK	09/18	0.800	20.32	1.080	27.42	0.533	13.55	0.142	3.60
SFH213-PP_C-D10-ID-BK	10/20	0.900	22.86	1.180	29.96				
SFH213-PP_C-D12-ID-BK	12/24	1.100	27.94	1.380	35.04				
SFH213-PP_C-D13-ID-BK	13/26	1.200	30.48	1.480	37.58	0.526	13.35	0.142	3.60
SFH213-PP_C-D15-ID-BK	15/30	1.400	35.56	1.680	42.66				
SFH213-PP_C-D17-ID-BK	17/34	1.600	40.64	1.880	47.74				
SFH213-PP_C-D20-ID-BK	20/40	1.900	48.26	2.180	55.36	0.526	13.35	0.142	3.60
SFH213-PP_C-D25-ID-BK	25/50	2.400	60.96	2.680	68.06				
SFH213-PP_C-D25-ID-BK	30/60								
	32/64					SEE SHEET 2 FOR DIMENSIONS			

- NOTES:**
- INSULATOR MATERIAL: PBT 30% GLASS FIBER.
  - CONTACT MATERIAL: PHOSPHOR BRONZE.
  - OPERATING TEMPERATURE: -40°C TO +105°C.
  - UL FLAMMABILITY RATING: 94V-0.
  - CURRENT RATING: 1 AMP PER CONTACT.
  - INSULATION RESISTANCE: 3,000 MEGOHMS MIN.
  - CONTACT RESISTANCE: 30m OHMS MAX.
  - DIELECTRIC WITHSTANDING: 500 V AC.
  - MATES WITH SBH11 SERIES
  - FOR .050"[1.27mm] PITCH FLAT RIBBON CABLE, 26 - 28 AWG WIRE RANGE.



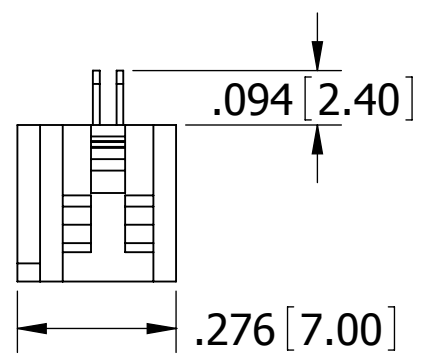
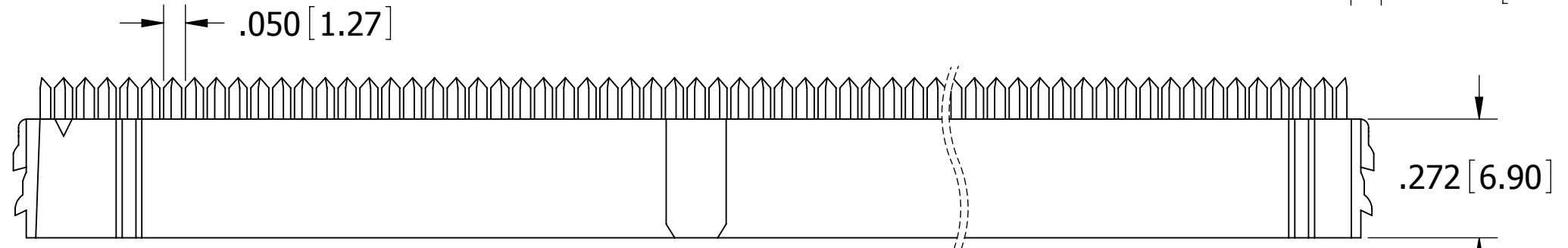
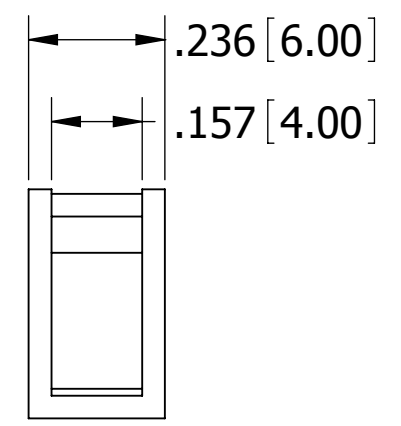
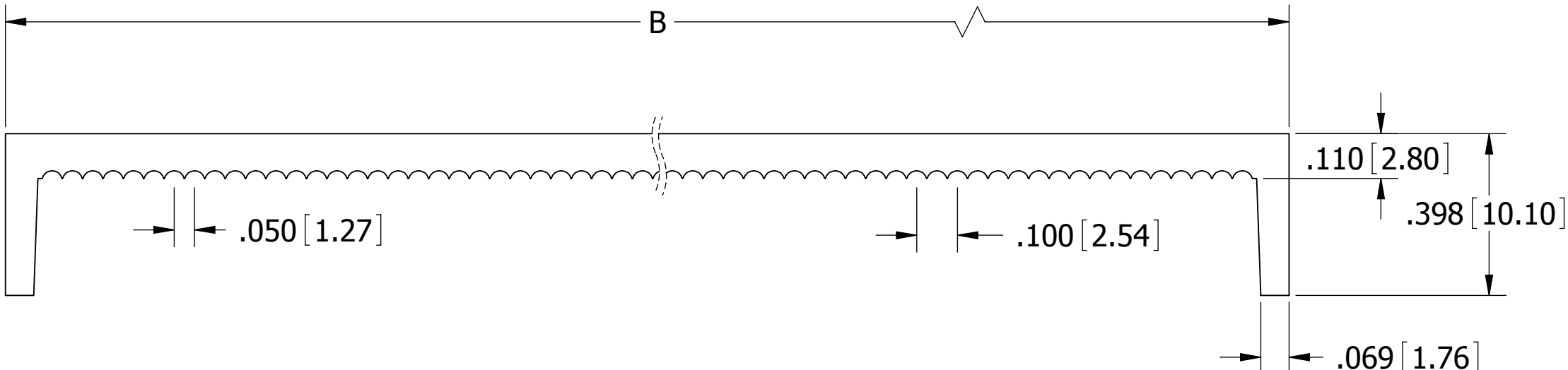
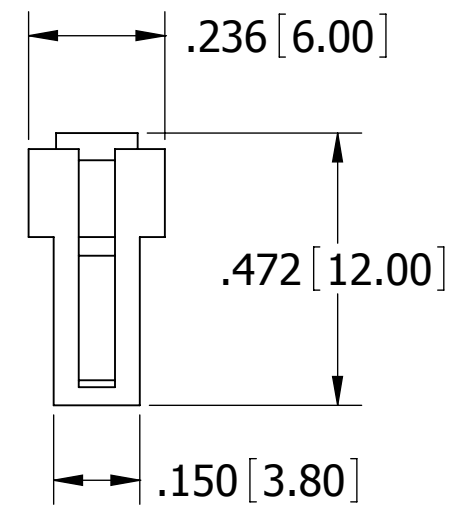
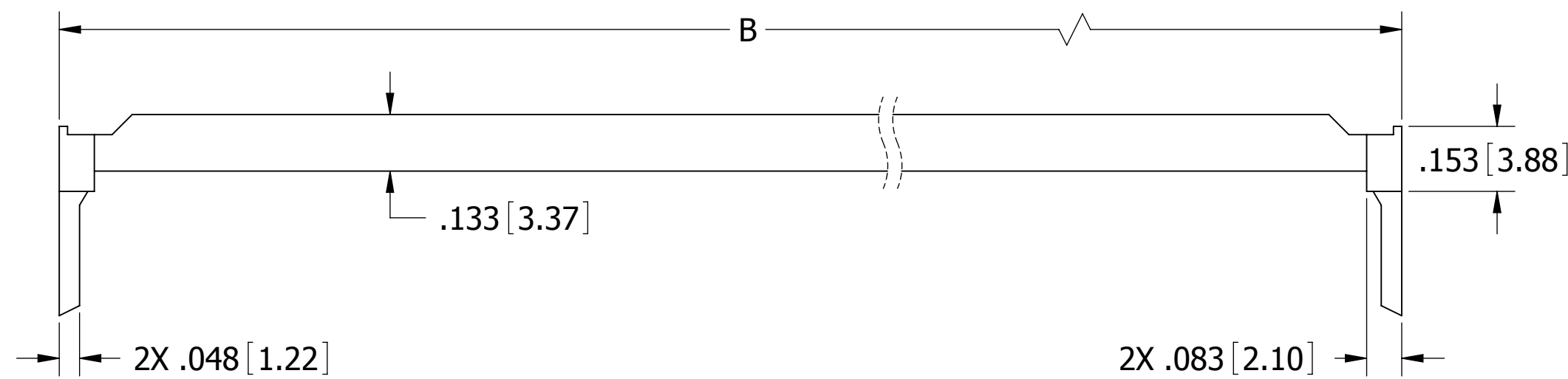
UNLESS OTHERWISE SPECIFIED:  
 DIMENSIONS ARE IN INCHES [MM]

TOLERANCES:

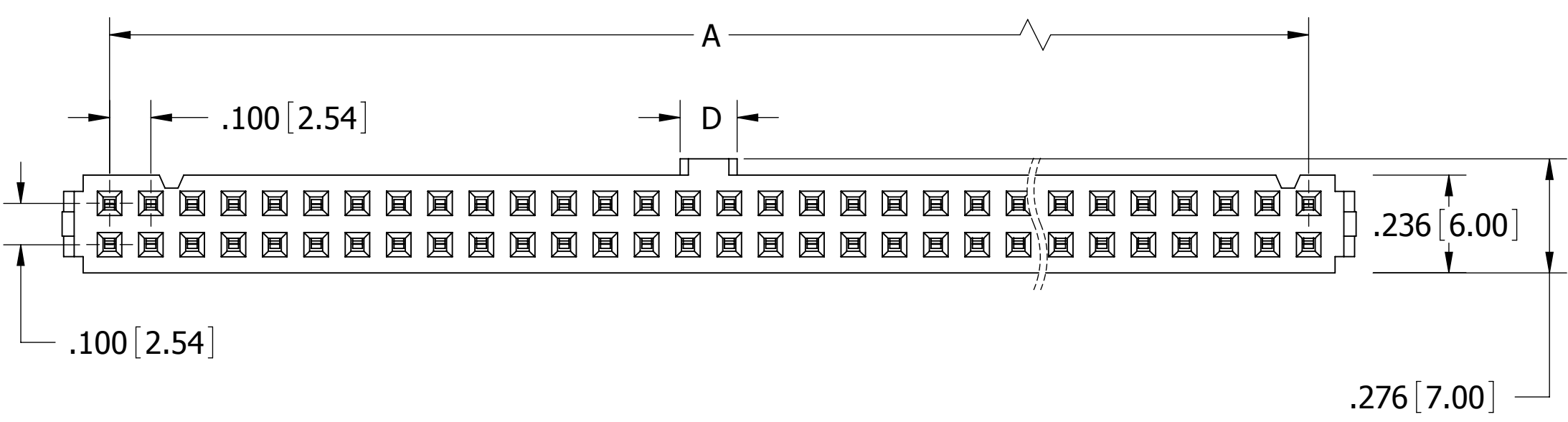
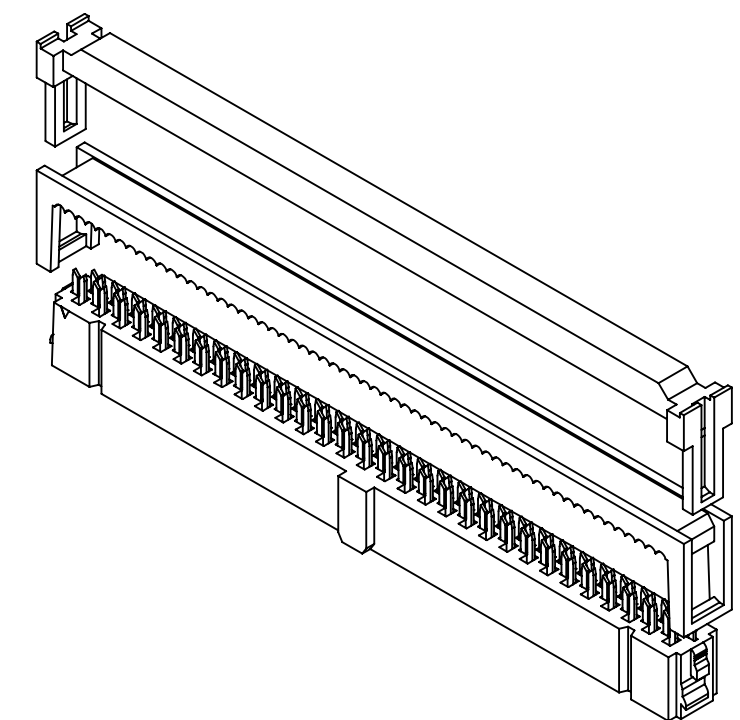
ANGULAR: ± 30'

DECIMALS  
 .XX= ± .012 [ .3]  
 .XXX= ± .008 [ .20]  
 .XXXX= ± .0040 [ .100]

DRAWN	DATE	NAME		
	3/24/2009	JH		
<small>THE INFORMATION HEREIN CONTAINS PROPRIETARY INFORMATION OF SULLINS ELECTRONICS AND IS NOT TO BE REPRODUCED, USED OR DISCLOSED TO OTHERS FOR ANY PURPOSE EXCEPT AS SPECIFICALLY AUTHORIZED IN WRITING BY AN OFFICER OF SULLINS ELECTRONICS.</small>			<b>TITLE</b> IDC SOCKET .100" CC/RS, w/ SR	
<b>PART NUMBER</b> SFH213-PP_C-D_-ID-BK			<b>SCALE:</b> 2:1	
SIZE	CAGE CODE	DWG. NO.	REV	
C	54453	11223	C	
SHEET 1 OF 2				



(POSITION 30 & 32)



PART NUMBER	POSITIONS/ CONTACTS	A		B		D	
		INCH	MM	INCH	MM	INCH	MM
POSITION 03 THRU 25: SEE SHEET 1 FOR PART NUMBERS	03/06	SEE SHEET 1 FOR DIMENSIONS					
	04/08						
	05/10						
	06/12						
	07/14						
	08/16						
	09/18						
	10/20						
	12/24						
	13/26						
	15/30						
	17/34						
20/40							
25/50							
SFH213-PP_C-D30-ID-BK	30/60	2.900	73.66	3.179	80.74	0.138	3.50
SFH213-PP_C-D32-ID-BK	32/64	3.100	78.74	3.379	85.82		

- NOTES:
1. INSULATOR MATERIAL: PBT 30% GLASS FIBER.
  2. CONTACT MATERIAL: PHOSPHOR BRONZE.
  3. OPERATING TEMPERATURE: -40 °C TO +105 °C.
  4. UL FLAMMABILITY RATING: 94V-0.
  5. CURRENT RATING: 1 AMP PER CONTACT.
  6. INSULATION RESISTANCE: 3,000 MEGOHMS MIN.
  7. CONTACT RESISTANCE: 30m OHMS MAX.
  8. DIELECTRIC WITHSTANDING: 500 V AC.
  9. MATES WITH SBH11 SERIES
  10. FOR .050" [1.27mm] PITCH FLAT RIBBON CABLE, 26 - 28 AWG WIRE RANGE.



UNLESS OTHERWISE SPECIFIED:  
DIMENSIONS ARE IN INCHES [MM]

TOLERANCES:

ANGULAR: ± 30'

DECIMALS  
.XX = ± .012 [3]  
.XXX = ± .008 [20]  
.XXXX = ± .0040 [100]

DRAWN	DATE	NAME
	3/24/2009	JH
THE INFORMATION HEREIN CONTAINS PROPRIETARY INFORMATION OF SULLINS ELECTRONICS AND IS NOT TO BE REPRODUCED, USED OR DISCLOSED TO OTHERS FOR ANY PURPOSE EXCEPT AS SPECIFICALLY AUTHORIZED IN WRITING BY AN OFFICER OF SULLINS ELECTRONICS.		
TITLE IDC SOCKET, .100" CC/RS w/ SR		
PART NUMBER SFH213-PP_C-D__-ID-BK		
SIZE	CAGE CODE	DWG. NO.
C	54453	11223
SCALE: 2:1		SHEET 2 OF 2

SULLINS CONNECTOR SOLUTIONS	
TITLE IDC SOCKET, .100" CC/RS w/ SR	
PART NUMBER SFH213-PP_C-D__-ID-BK	
SIZE	CAGE CODE
C	54453
DWG. NO.	11223
SCALE: 2:1	SHEET 2 OF 2