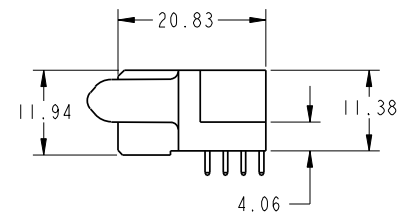
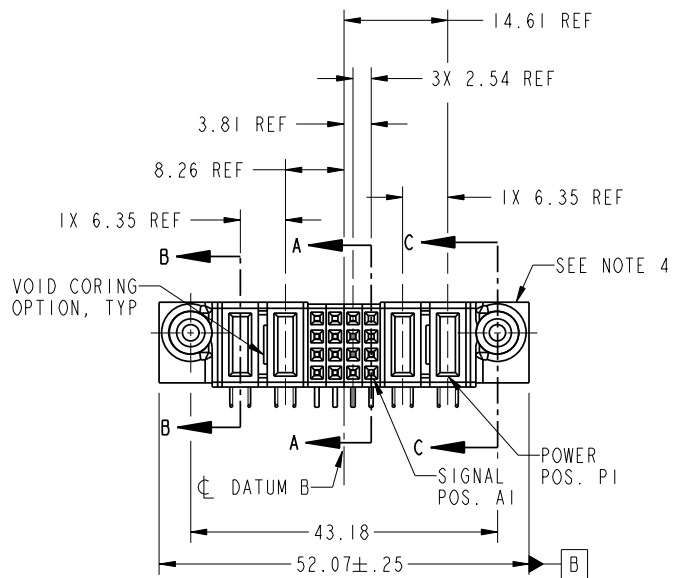
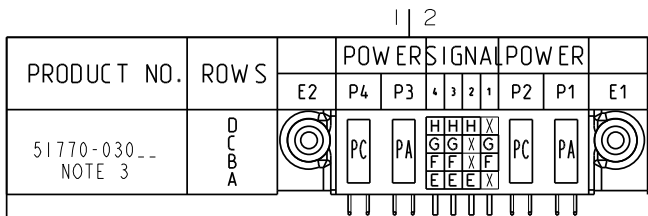


Tous droits strictement réservés. Reproduction ou communication a des tiers interdite sous quelque forme que ce soit sans autorisation écrite du propriétaire. Propriété de c FCI. Droits de reproduction FCI.



All rights strictly reserved. Reproduction or issue to third parties in any form whatever is not permitted without written authority from the proprietor. Property of FCI. Copyright FCI.



CODE	DIM "M" MATING LENGTH	CONTACT TYPE
PA	[1.07]	POWER
H	[N/A]	SIGNAL
G	[N/A]	SIGNAL
F	[N/A]	SIGNAL
E	[N/A]	SIGNAL
PC	[2.34]	POWER
X	OMITTED	

mat'l code				SEE NOTE 2		tolerances unless otherwise specified		CUSTOMER	
lfr	ecn no.	dr	date	linear	0.X ±0.3	COPY		FCI www.fciconnect.com	
A	DG07-0018	JULIA	01/15/07		0.XX ±0.13	projection		title	
B	DG07-0192	JULIA	05/08/07		0.XXX ±.051			2P + 16S + 2P R/A SOLDER RECEPTACLE	
				angles	0° ±2°			product family	
				dr	JULIA WANG 01/15/07	MM		PwrBlade	
				enrg	RYAN YUAN 01/15/07	1:1		code	
				chr	BEER FU 01/15/07			213	
				appd	JOSEPH HSIA 01/15/07			sheet	
sheet index	revision	B	B	B	B			1 of 4	
	sheet	1	2	3	4				



product family PwrBlade
code 213
size A
dwg no 51770-030
sheet 1 of 4

scale 1:1

cage code 22526

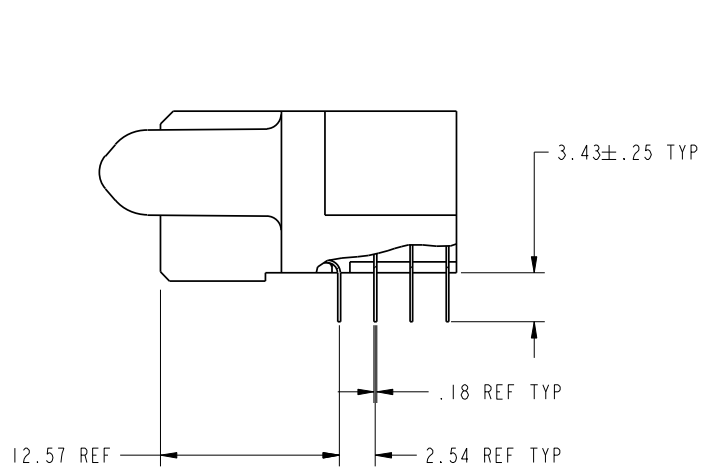
Pro/E

Tous droits strictement reserves. Reproduction ou communication a des tiers interdite sous quelque forme que ce soit sans autorisation écrite du propriétaire. Propriete de c FCI. Droits de reproduction FCI.

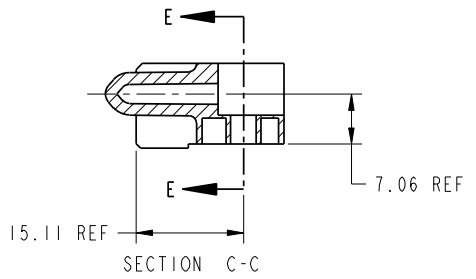


All rights strictly reserved. Reproduction or issue to third parties in any form whatever is not permitted without written authority from the proprietor. Property of FCI. Copyright FCI.

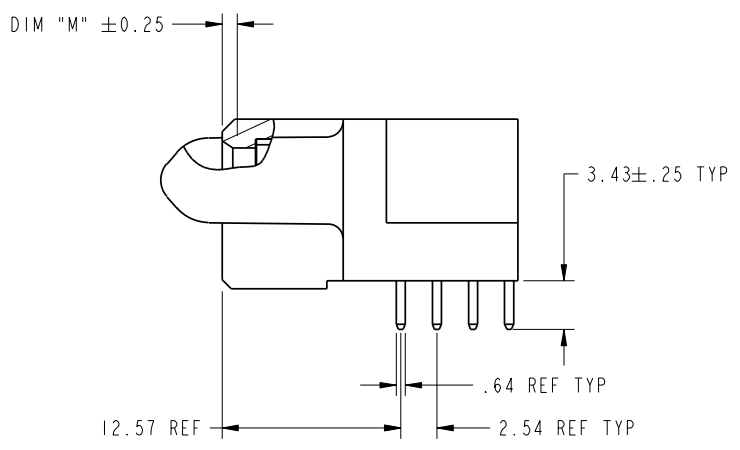
PRODUCT NUMBER
51770-030--
NOTE 3



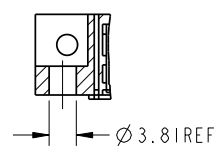
BROKEN-OUT SECTION A-A
SCALE 2:1



SECTION C-C



BROKEN-OUT SECTION B-B
SCALE 2:1



PARTIAL SECTION E-E

mat'l code				SEE NOTE 2		tolerances unless otherwise specified		CUSTOMER		FCI		www.fciconnect.com		
lfr	ecn no.	dr	date	linear	0.X ± 0.3		COPY		projection	title				
B					0.XX ± 0.13		MM			2P + 16S + 2P				
					0.XXX ± .051		1:1			R/A SOLDER RECEPTACLE				
					angles	0° ± 2°		A		product family		code		
					dr	JULIA WANG	01/15/07			PwrBlade		213		
				enr	RYAN YUAN	01/15/07			size		dwg no			
				chr	BEER FU	01/15/07			A		51770-030			
				appd	JOSEPH HSIA	01/15/07					sheet			
sheet index		revision sheet										2 of 4		

cage code 22526

Pro/E

Tous droits strictement reserves. Reproduction ou communication a des tiers interdite sous quelque forme que ce soit sans autorisation ecrite du proprietaire. Propriete de c FCI. Droits de reproduction FCI.



All rights strictly reserved. Reproduction or issue to third parties in any form whatever is not permitted without written authority from the proprietor. Property of FCI. Copyright FCI.

PRODUCT NUMBER
51770-030__
NOTE 3

NOTES:

1. DIMENSIONS AND TOLERANCES ARE IN ACCORDANCE WITH ASME Y14.5M, 1994 UNLESS OTHERWISE SPECIFIED.

CONNECTOR NOTES:

- 2. HOUSING MATERIAL: UL 94 V-0 GLASS FILLED
HIGH-TEMP THERMOPLASTIC
POWER CONTACT MATERIAL: COPPER ALLOY
SIGNAL PIN MATERIAL: COPPER ALLOY
- 3. PLATING:
51770-030, 51770-030LF PLATING SPEC. WAS SHOWN IN THE PRINT OF 10064183.
- 4. MANUFACTURER'S NAME, P/N, AND DATE CODE TO APPEAR ON THIS SURFACE.
- 5. PRODUCT SPECIFICATION GS-12-149.
APPLICATION SPECIFICATION BUS-20-067.
- 6. PACKAGED IN TRAYS.

PCB NOTES:

- 7. ALL HOLE DIAMETERS ARE FINISHED HOLE SIZE.
- 8. MOUNTING HOLES, WHERE APPLICABLE, ARE UNPLATED.
- 9. $\varnothing 1.151 \pm 0.025$ DRILLED HOLES PLATED WITH
0.008 MIN SnPb OVER 0.03
TO 0.08 Cu PLATING TO ACHIEVE
 $\varnothing 1.02 \pm .07$ HOLE.
- 10. "DIM XXX" TO BE DETERMINED BY THE CUSTOMER.
- 11. CONNECTOR KEEP-OUT ZONE.

mat'l code				SEE NOTE 2		tolerances unless otherwise specified		CUSTOMER		FCI		www.fciconnect.com	
lfr	ecr no.	dr	date	linear	0.X ± 0.3		COPY		projection	title			
B					0.XX ± 0.13		←			2P + 16S + 2P R/A SOLDER RECEPTACLE			
				angles	0.XXX ± .051		⊕		product family				
					0° ± 2°		← MM →		PwrBlade		code		
				dr	JULIA WANG	01/15/07	scale		size	dwg no		213	
				enrg	RYAN YUAN	01/15/07	1:1			51770-030		sheet	
				chr	BEER FU	01/15/07			A		4 of 4		
				appd	JOSEPH HSIA	01/15/07							
sheet index		revision sheet											

cage code 22526

Pro/E