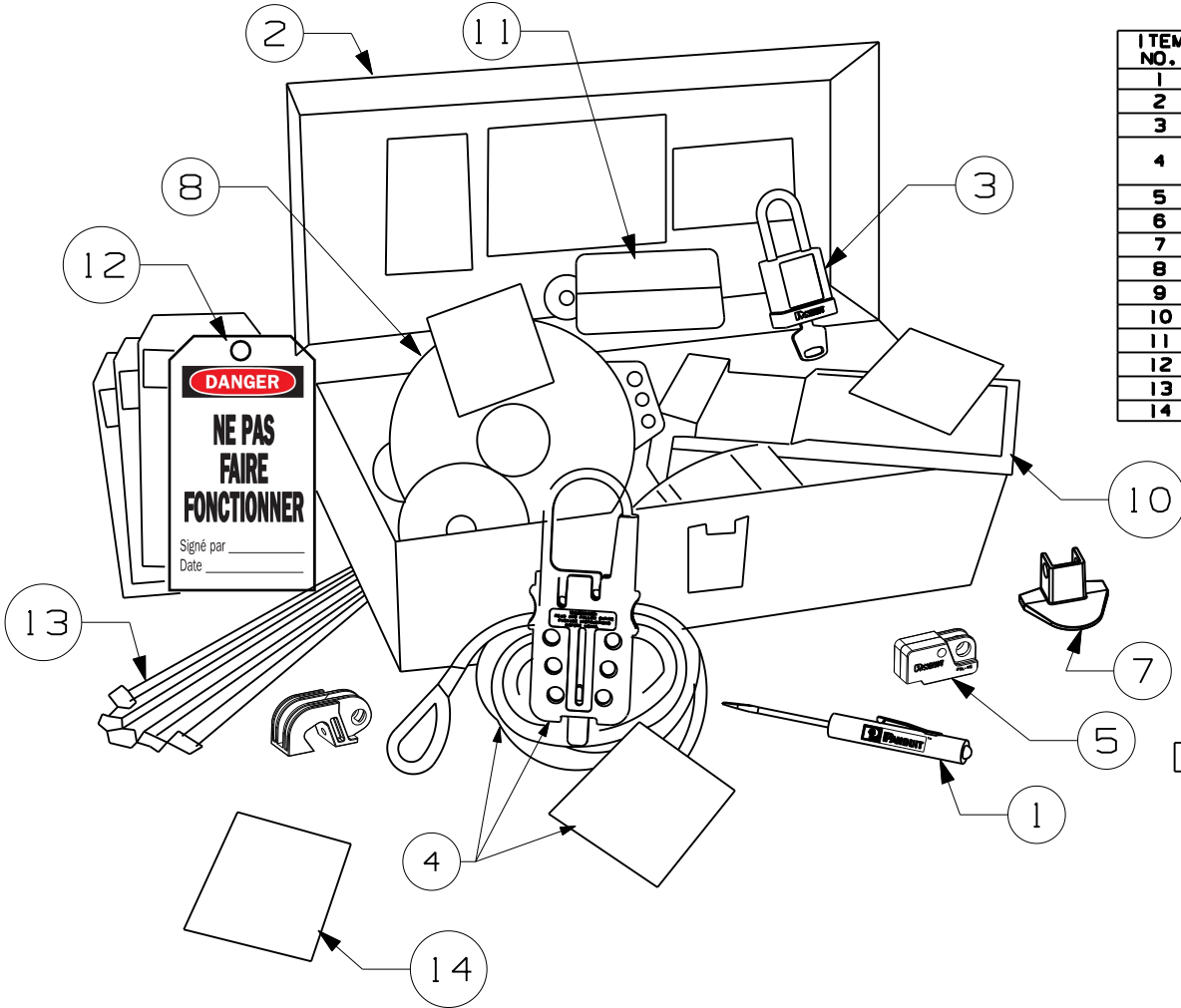
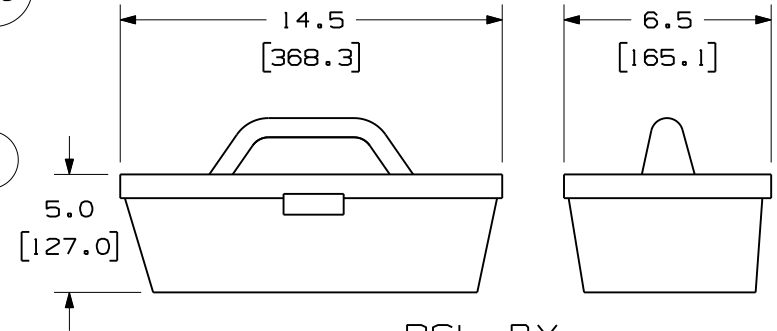


THIS COPY IS PROVIDED ON A RESTRICTED BASIS AND IS NOT TO BE USED IN ANY WAY DETRIMENTAL TO THE INTERESTS OF PANDUIT CORP.



ITEM NO.	QTY. (PCS.)	PART NO.	DESCRIPTION
1	1	GMSDCOM	PANDUIT SCREWDRIVER
2	1	PSL-BX	CARRYING CASE
3	3	PSL-BRD	Plastic Body Podlock, Red
4	1	PSL-MLD	PSL-MLD MULTIPLE LOCKOUT HASP, 6' VINYL COATED CABLE AND INSTRUCTION SHEET
5	2	PSL-WS	WALL SWITCH LOCKOUT
6	2	PSL-CBNT	CIRCUIT BREAKER LOCKOUT
7	2	PSL-P	PLUG LOCKOUT DEVICE
8	1	PSL-V6A	GATE VALVE LOCKOUT - 5.0" (127 mm)
9	1	PSL-V2A	GATE VALVE LOCKOUT - 2.5" (64 mm)
10	1	PSL-BV2	BALL VALVE LOCKOUT - 2.5" (64 mm)
11	1	PSL-CL110	110V PLUG LOCKOUT
12	10	PVT-41-F	SAFETY TAG FRENCH
13	10	PLT2S	NYLON CABLE TIES
14	1	GMPSL-INKT	INSTRUCTION SHEET



PSL-BX  
PLASTIC CARRYING CASE

CAD FILENAME/LAYERS 100824BC-DC-C10911/00A

PANDUIT CORP. TINLEY PARK, ILLINOIS

CUSTOMER DRAWING  
PSL-KT-MROA-F  
FRENCH MAINTENANCE LOCKOUT KIT

UNLESS OTHERWISE SPECIFIED,  
DIMENSIONAL TOLERANCES ARE:  
(.X) ± (.XXX) ±  
(.XX) ± ANGLES ±

UNLESS OTHERWISE SPECIFIED,  
ALL DIMENSIONS ARE GIVEN  
IN INCHES, THIRD ANGLE PROJECTION.

DRAWN BY  
RVU

MAT'L:

SCALE  
NTS

DATE  
5/13/11

DRAWING NO.

DWG  
A  
SIZE

CHK'D

C10911

REV	DATE	BY	CHK	DESCRIPTION	ECN	R	CUST	SUP
0	5/13/11	RVU		DRAWING RELEASE.	6390	R		