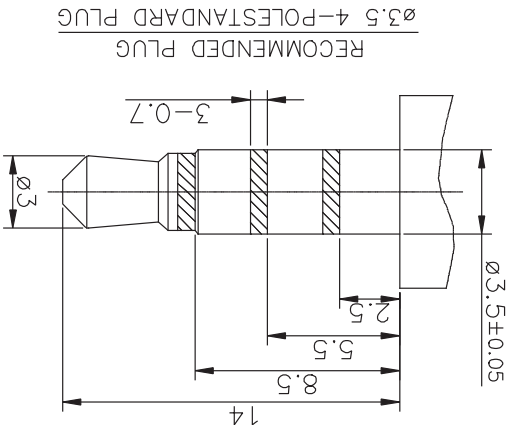
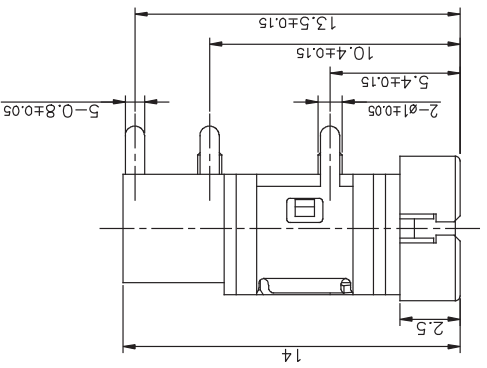
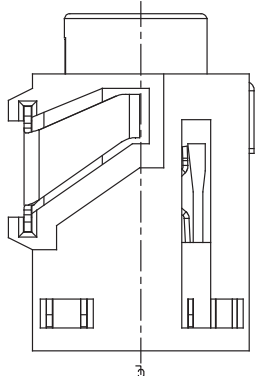
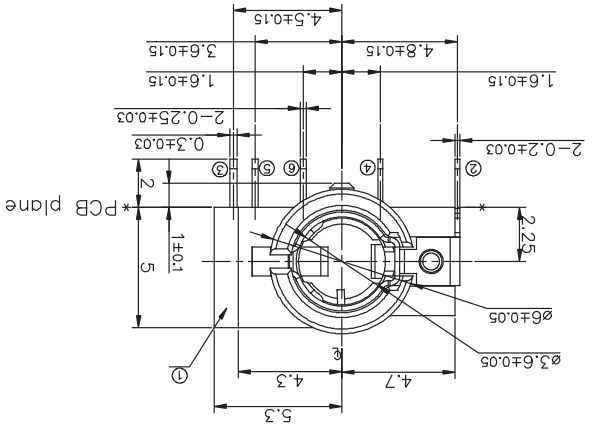


NOTES:
 1. MATERIALS & PLATING: SEE MATERIAL TABLE
 2. PRODUCT SPECIFICATION: GS-12-1144.
 3. THIS PRODUCT MEETS EUROPEAN UNION DIRECTIVES AND OTHER COUNTRY REGULATIONS AS DESCRIBED IN GS-47-0004.
 4. THE HOUSING WILL WITHSTAND EXPOSURE TO 245°C PEAK TEMPERATURE FOR 10 SECONDS IN A WAVE SOLDERING APPLICATION.
 5. PART NUMBER DEFINITION:
 10123764-001XLF
 PACKAGE CODE:
 T: TRAY
 R: TAPE & REEL

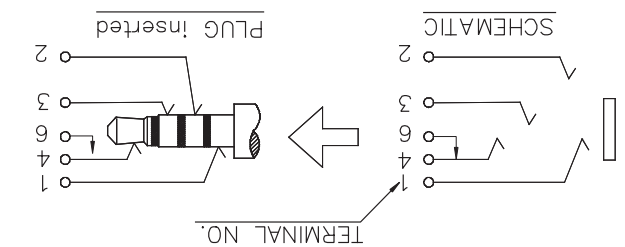


PRODUCT NUMBER
 10123764-001XLF



matl. code	dr	date	tolerances unless otherwise specified	projection	ASME Y14.5
A	TAI	2013-05-08	16<L<63 ±0.4	MM	
B	BX-T-15747	TAI	4<L<16 ±0.3		
			angles		
			X±.5		
			L<4 ±0.2		
tr	ecn no	dr	scale	product family	
				3.5mm AUX JACK, 4 SEGMENTS	
				dwg no	10123764
				sheet 1 of 1 size	A4
				type	CUSTOMER Drawing
sheet	revision	B	index		

NO.	PART NAME	TER.NO.	QTY	MATERIAL	REMARK
①	HOUSING		1	PBT UL94 V-0	BLACK
②	TERMINAL 1	1	1	COPPER ALLOY t=0.20	Au 1.7"Min
③	TERMINAL 2	2	1	COPPER ALLOY t=0.30	Au 1.7"Min
④	TERMINAL 3	3	1	COPPER ALLOY t=0.20	Au 1.7"Min
⑤	TERMINAL 4	4	1	COPPER ALLOY t=0.25	Au 1.7"Min
⑥	TERMINAL 6	6	1	COPPER ALLOY t=0.25	Au 1.7"Min



PCB HOLES(THE TOP VIEW) t=1.6mm
 NOTE:GENERAL TOLERANCE:±0.05mm

