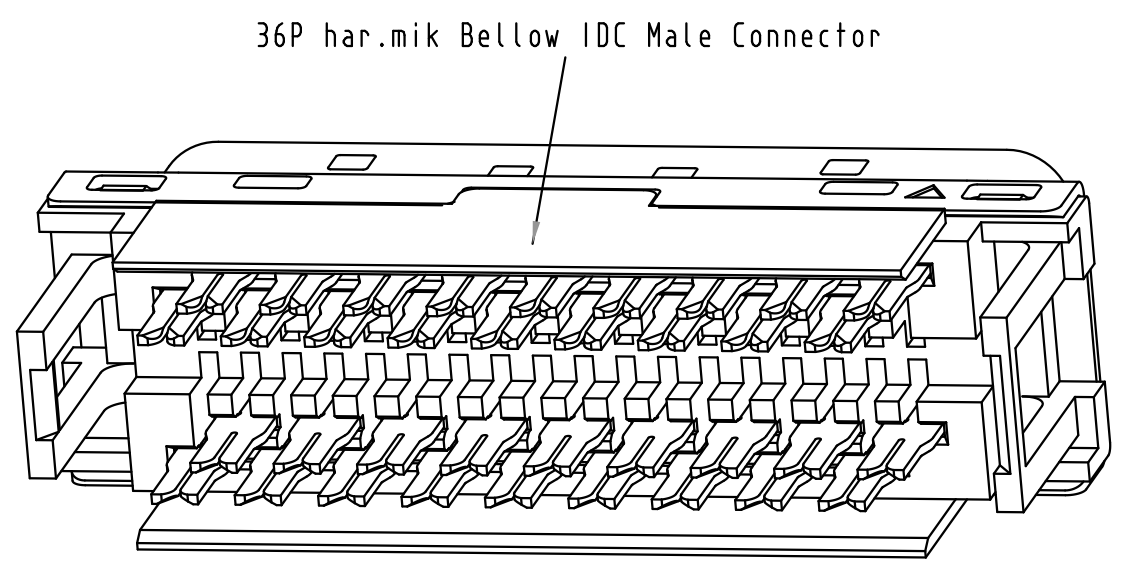
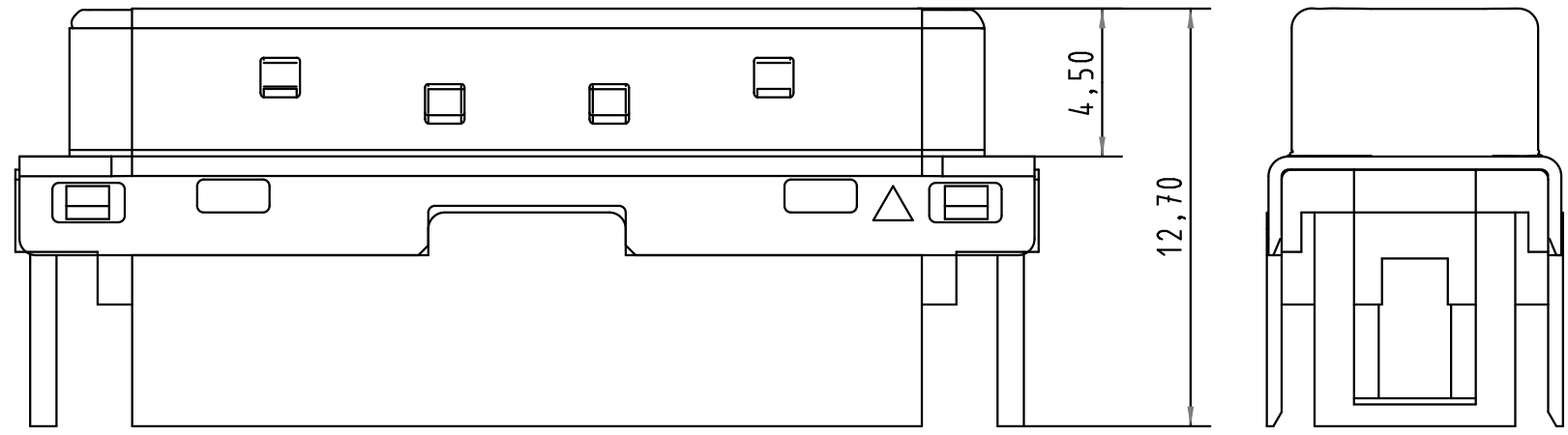
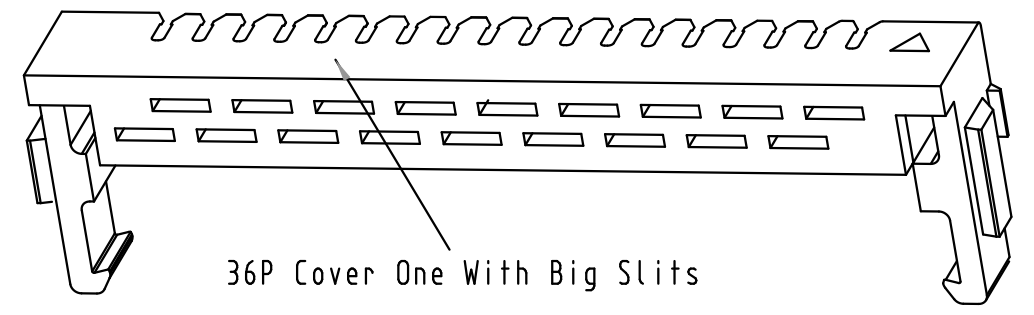
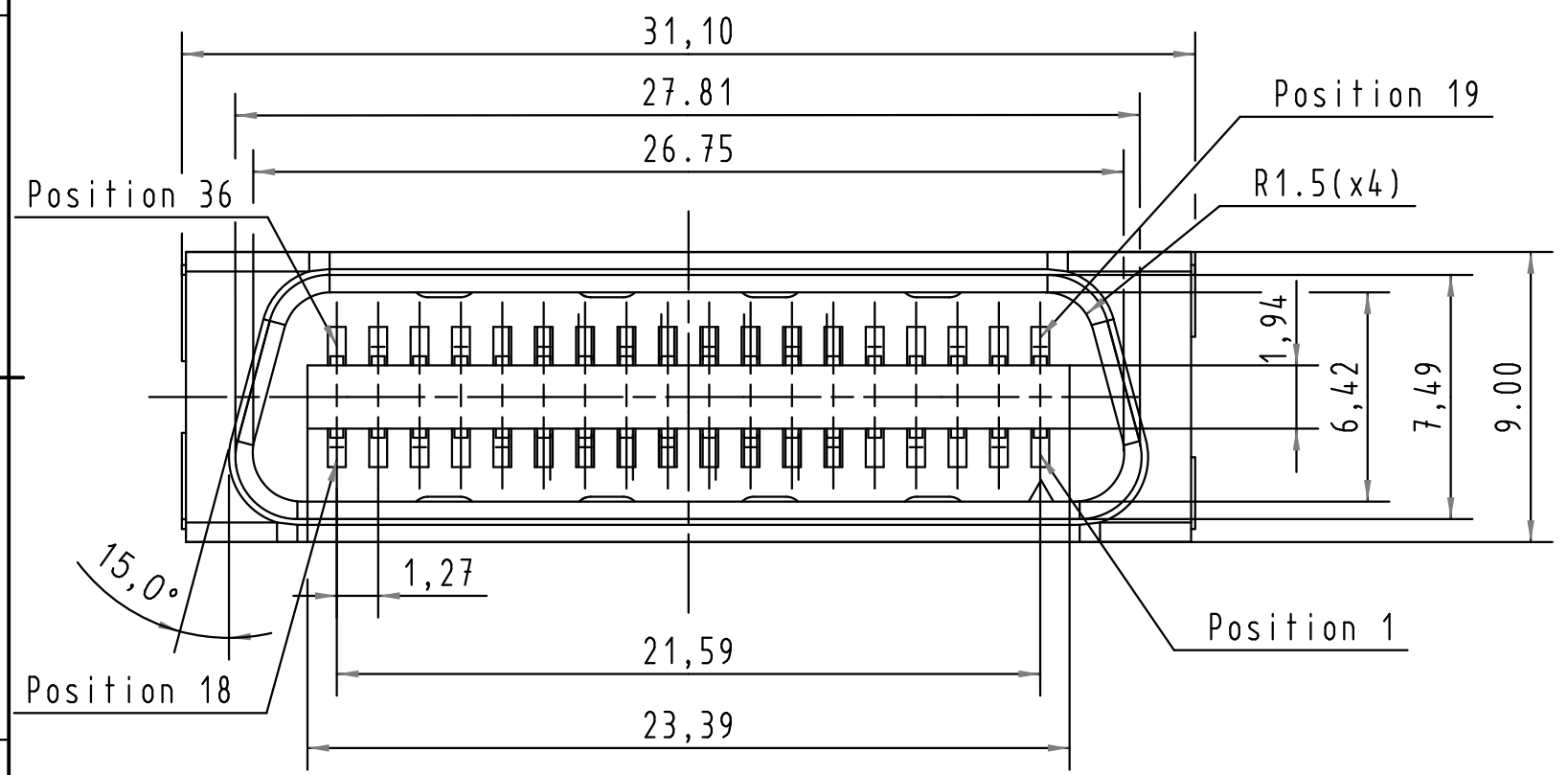


1 2 3 4 5 6 7 8

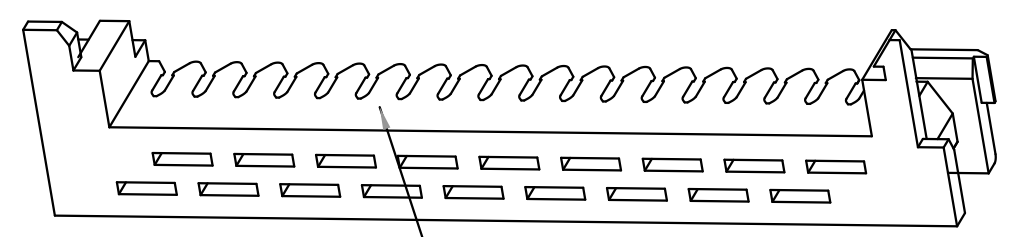
A B C D E F



36P har.mik Bellow IDC Male Connector



36P Cover One With Big Slits



36P Cover Two With Big Slits

All rights reserved

This connector is according to IEC 61076-3-100

All Dimensions in mm Original Size DIN A 3			Techn. Character.			Free size tolerances		
				Dat.	Name	Scale 5 : 1	<i>har.mik</i> <sup>®</sup> I/O bellow 36 poles IDC male connector for wire insulator O.D from 0.75mm to 0.90mm	
			Detail.	06-MAR-08	SW			
			Insp.					
			Stand.					
31783	06-MAR-08	SW	Zhuhai Harting Limited				TB 60 13 036 5215	
Mod.	Dat.	Name					Sub.	Page 1 / 1

1 2 3 4 5 6 7 8