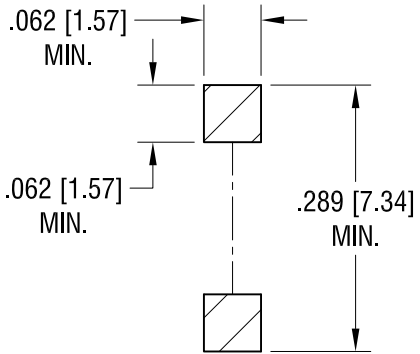
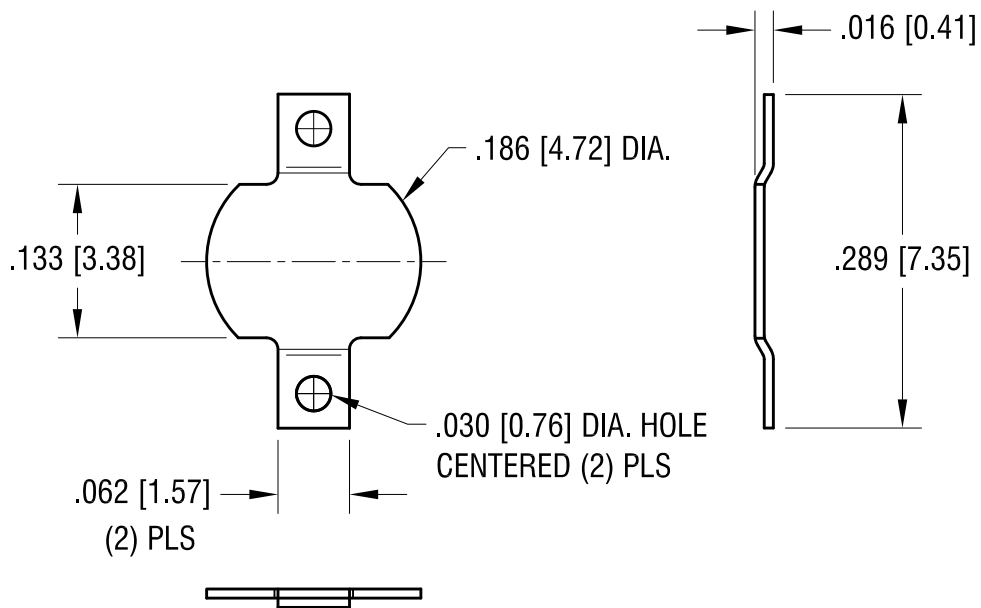
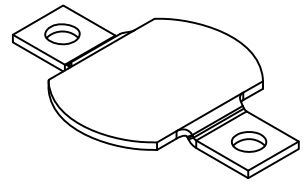


THIS DOCUMENT IS THE PROPERTY OF
KEYSTONE ELECTRONICS CORP. AND
SHALL NOT BE REPRODUCED, DISTRIBUTED
OR USED AS A BASIS FOR MANUFACTURE
WITHOUT PRIOR WRITTEN PERMISSION
FROM KEYSTONE ELECTRONICS CORP.



MOUNTING PAD LAYOUT



KEYSTONE ELECTRONICS CORP.

www.keyelco.com • ASTORIA, N.Y. 11105-2017 • Tel (718) 956-8900

PART NAME
COIN CELL SM NEGATIVE CONTACT

MATERIAL
.008 [.20] TH'K BRASS

FINISH MATTE TIN PLATE	DRN BY NT	DATE 11.02.09
	APP'D LN	SCALE 6X

TOLERANCES DECIMAL ANGULAR	INCH ± .005 ± 1°	[MM] [± 0.13]	CODE C	DWG NO. 2982
UNLESS OTHERWISE SPECIFIED				

DATE	DESCRIPTION	REV.