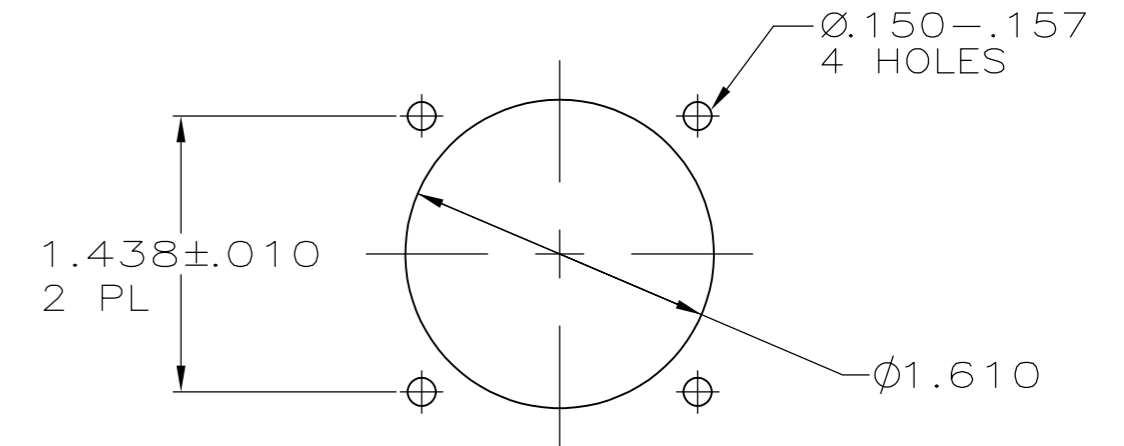
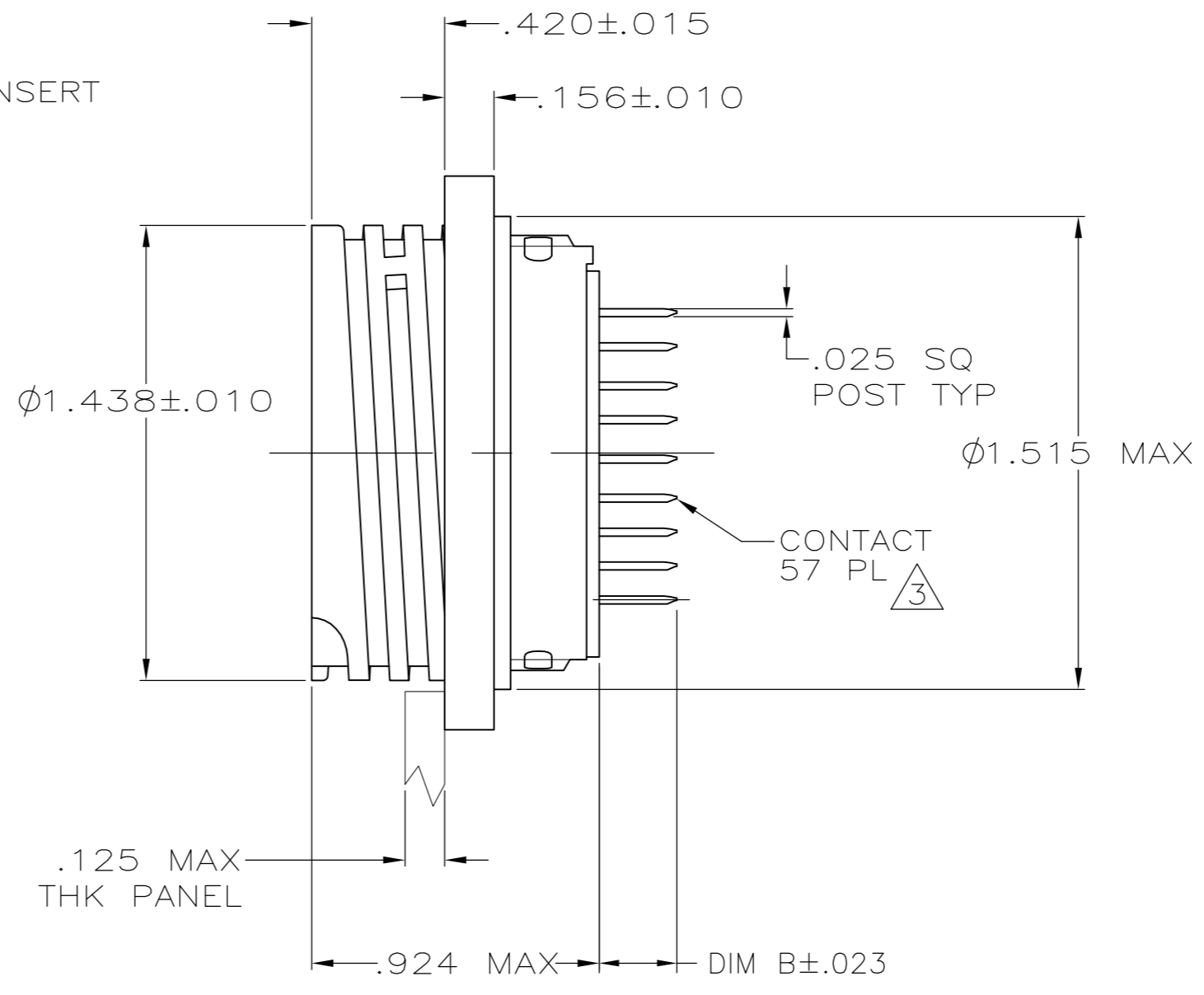
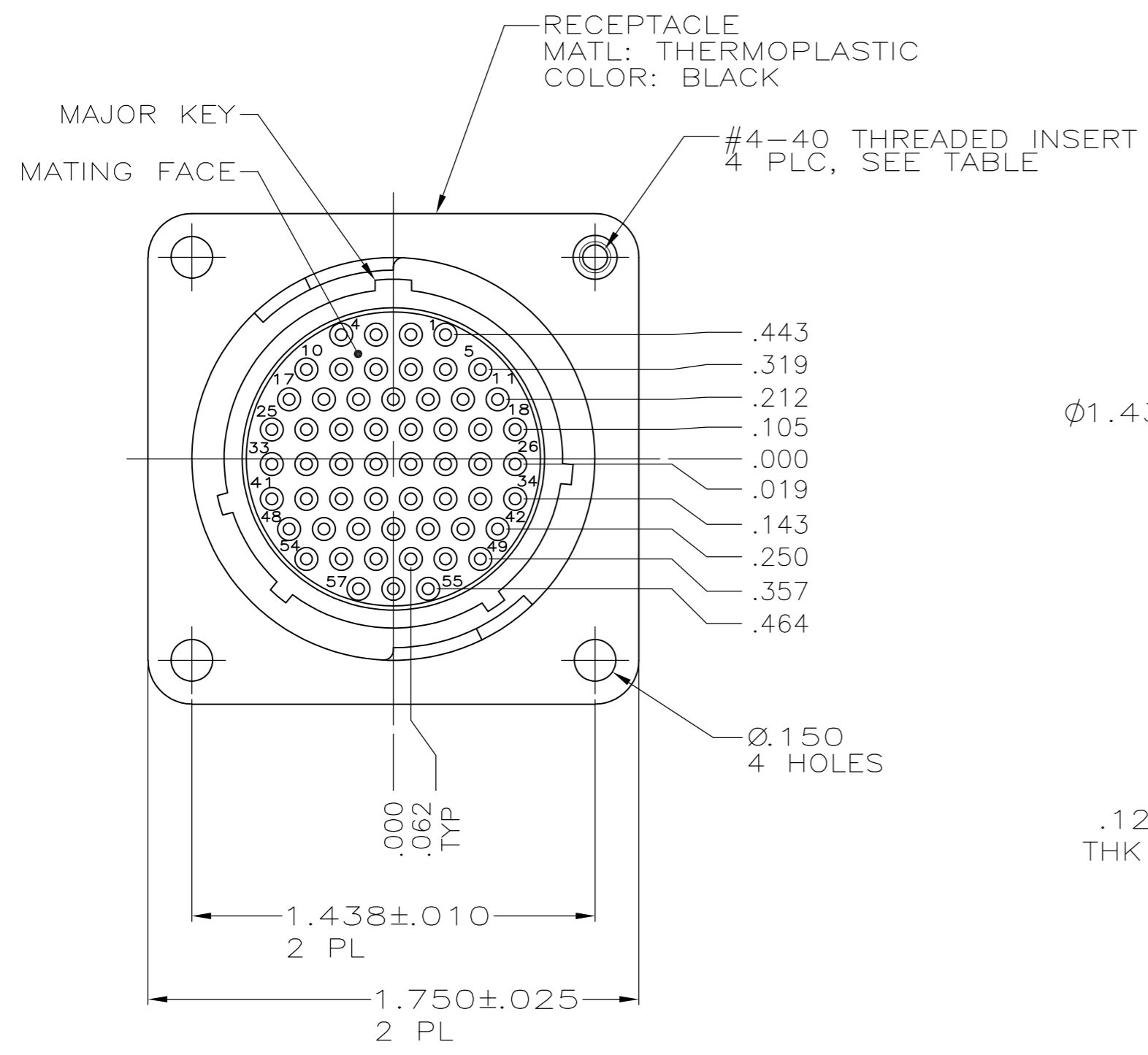


THIS DRAWING IS UNPUBLISHED. RELEASED FOR PUBLICATION
 © COPYRIGHT - By - ALL RIGHTS RESERVED.

REVISIONS				
P	LTR	DESCRIPTION	DATE	APVD
F1		REVISED PER ECO-08-023607	9/22/08	SS BC
G		REVISED PER ECO-17-004657	05APR2017	RS MZ



PANEL CUTOUT
SCALE: 1:1

- CONTACT CAVITIES IDENTIFIED BY CHARACTERS ON FRONT AND REAR FACES OF CONNECTOR.
- #4 FASTENER RECOMMENDED FOR MOUNTING.
- .000030 MIN GOLD FOR A LENGTH OF .100 MIN FROM MATING END, .000100 MIN TIN-LEAD FOR A LENGTH OF .565 FROM OPPOSITE END, ALL OVER .000050 MIN NICKEL.
- .000030 MIN GOLD FOR A LENGTH OF .100 MIN FROM MATING END, .000100 MIN TIN FOR A LENGTH OF .565 FROM OPPOSITE END, ALL OVER .000050 MIN NICKEL.
- .000001 MIN GOLD FOR A LENGTH OF .100 MIN FROM MATING END, .000100 MIN TIN ON TAIL LENGTH, ALL OVER .000050 MIN NICKEL.
- RECOMMENDED PC BOARD HOLE SIZE FOR CONTACT POST = .041±.003 DIA.
- PRELIMINARY PART NUMBER.

	.245		NO	1-796329-1
	.557		NO	796329-5
	.467		NO	796329-4
	.245		YES	796329-3
	.245		YES	796329-2
	.245		NO	796329-1
DIM B	CONTACT FINISH	4-40 THREADED INSERTS	PART NUMBER	

THIS DRAWING IS A CONTROLLED DOCUMENT.		DWN HAMNER 1-31-00	TE Connectivity	
DIMENSIONS: INCHES		CHK M.CHACKO 2-1-00		
TOLERANCES UNLESS OTHERWISE SPECIFIED:		APVD M.CHACKO 2-1-00	NAME	
0 PLC ± -		PRODUCT SPEC	RECEPTACLE ASSY, POSTED, REV SEX, SIZE 23-57, SERIES 2, CPC	
1 PLC ± -		APPLICATION SPEC	SIZE	CAGE CODE
2 PLC ± -			A2	00779
3 PLC ± .005		WEIGHT	DRAWING NO	
4 PLC ± -			C=796329	
4 PLC ANGLES ± -		CUSTOMER DRAWING	SCALE	SHEET
FINISH			2:1	1 of 1
			REV	G