

4

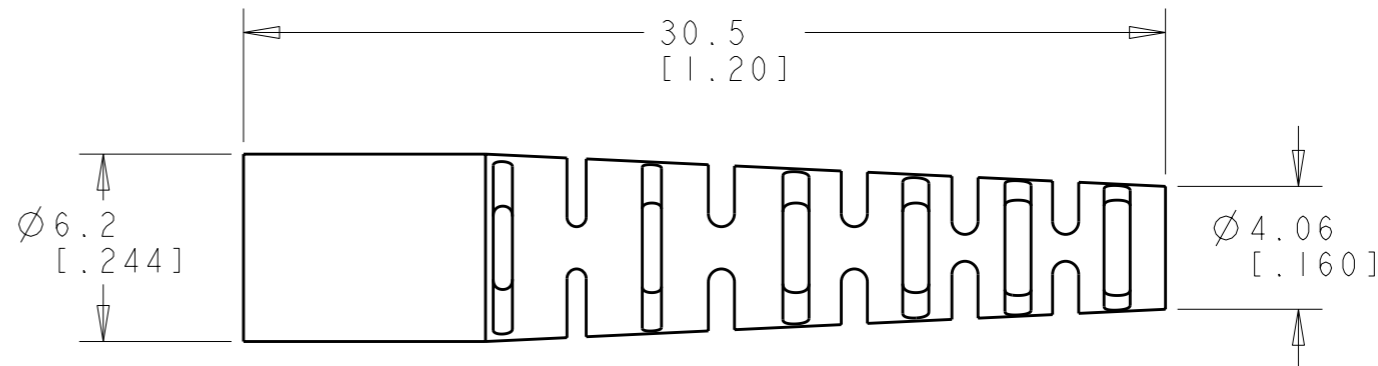
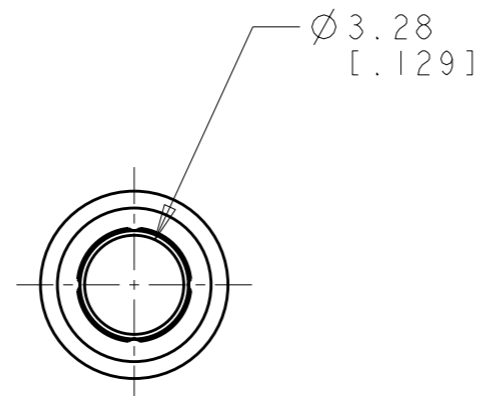
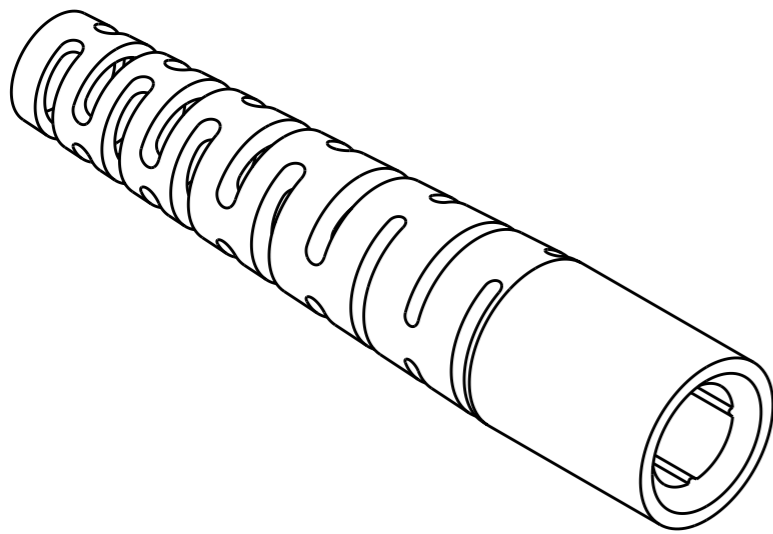
3

2

1

THIS DRAWING IS UNPUBLISHED. RELEASED FOR PUBLICATION  
© COPYRIGHT - BY TYCO ELECTRONICS CORPORATION. ALL INTERNATIONAL RIGHTS RESERVED.

LOC	DIST	REVISIONS					
		P	LTR	DESCRIPTION	DATE	DWN	APVD
HG	-		P	REVISE PER ECR-07-008803	20APR2007	BB	CB
			R	REVISE PER ECR-08-020169	23SEP2008	BB	SM
			RI	REVISE PER ECR-09-027460	22DEC2009	IL	CT



1 MATERIAL: PP, UL 94 V-0 RATED AT QUALIFYING THICKNESS.  
SEE DASH NUMBERS FOR COLOR.

2. BULK PACKAGED.

AQUA	1588153-8
RED	1588153-7
GREEN	1588153-6
BEIGE	1588153-5
YELLOW	1588153-4
BLACK	1588153-3
BLUE	1588153-2
WHITE	1588153-1
COLOR	PART NO

<small>THIS DRAWING IS A CONTROLLED DOCUMENT FOR TYCO ELECTRONICS CORPORATION IT IS SUBJECT TO CHANGE AND THE CONTROLLING ENGINEERING ORGANIZATION SHOULD BE CONTACTED FOR THE LATEST REVISION.</small>		DWN <b>D ERDMAN</b> 27MAR2002 CHK <b>M BURKHOLDER</b> 27MAR2002 APVD <b>S BUCHTER</b> 27MAR2002		Tyco Electronics Corporation Shanghai, China	
DIMENSIONS: mm [ INCHES ]		TOLERANCES UNLESS OTHERWISE SPECIFIED: 0 PLC ±- 1 PLC ±- 2 PLC ±- 3 PLC ±- 4 PLC ±- ANGLES ±-		NAME <b>BOOT, BEND LIMITING, 1.6-2.4mm LC AND SC/ FC TYPE</b>	
MATERIAL		FINISH -		SIZE <b>A3</b>	CAGE CODE <b>C-1588153</b>
CUSTOMER DRAWING				DRAWING NO <b>1588153</b>	RESTRICTED TO -
SCALE <b>4:1</b>				SHEET <b>1</b> OF <b>1</b>	REV <b>RI</b>