

Cable gland - G-INSEC-M25-S68N-NCRS-S - 1411190

Please be informed that the data shown in this PDF Document is generated from our Online Catalog. Please find the complete data in the user's documentation. Our General Terms of Use for Downloads are valid (<http://phoenixcontact.com/download>)



Cable gland, Cable gland material: Brass, nickel-plated, External cable diameter 11 mm ... 16 mm, Shielding: yes, Connecting thread: M25, Color: silver



Key Commercial Data

| | |
|--------------------------------------|----------|
| Packing unit | 1 pc |
| Minimum order quantity | 5 pc |
| Weight per Piece (excluding packing) | 60.0 g |
| Custom tariff number | 74199990 |
| Country of origin | Germany |

Technical data

Dimensions

| | |
|---------------------------------|---------------------|
| Length | 36 mm |
| Wrench size, union nut | 27 mm |
| Wrench size, support | 27 mm |
| Hexagon angular dimension GRP | 30 mm |
| Length of the connecting thread | 7 mm |
| Feed-through hole diameter | 25.1 mm ... 25.2 mm |
| External cable diameter | 11 mm ... 16 mm |

Ambient conditions

| | |
|---------------------------------|-----------------------------|
| Degree of protection | IP68 |
| Ambient temperature (operation) | -20 °C ... 100 °C (dynamic) |

General

| | |
|-------------------|---|
| No. of conductors | 1 |
|-------------------|---|

Cable gland - G-INSEC-M25-S68N-NCRS-S - 1411190

Technical data

General

| | |
|--------------------------------|----------------------|
| Cable gland material | Brass, nickel-plated |
| Seal material | Neoprene |
| Cable seal material | Neoprene |
| O-ring material | NBR |
| Shielded | yes |
| Thread type on connection side | M25 |
| Color | silver |

Standards and Regulations

| | |
|----------------------------------|-----|
| Connection in acc. with standard | CUL |
|----------------------------------|-----|

Classifications

eCl@ss

| | |
|------------|----------|
| eCl@ss 5.1 | 27149109 |
| eCl@ss 6.0 | 27149109 |
| eCl@ss 8.0 | 27149109 |

ETIM

| | |
|----------|----------|
| ETIM 4.0 | EC000441 |
| ETIM 5.0 | EC000441 |

Approvals

Approvals

Approvals

UL Listed / UL Recognized / cUL Listed / cUL Recognized / cULus Recognized / cULus Listed

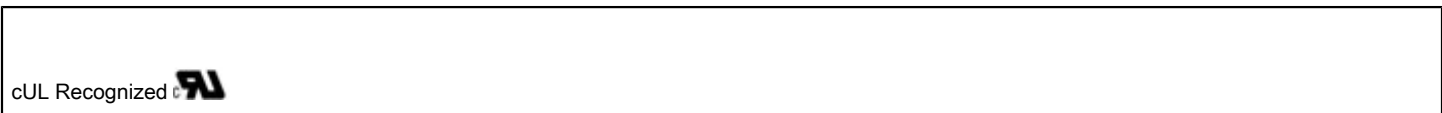
Ex Approvals

Approvals submitted

Approval details

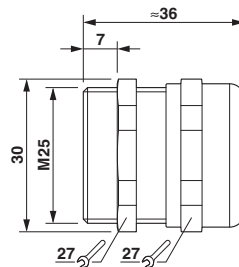
Cable gland - G-INSEC-M25-S68N-NCRS-S - 1411190

Approvals



Drawings

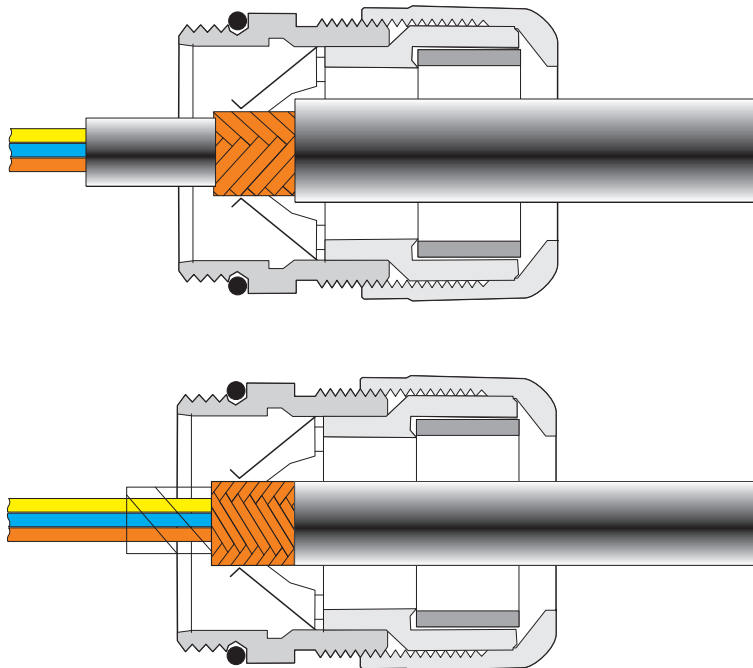
Dimensional drawing



Dimensional drawing

Cable gland - G-INSEC-M25-S68N-NCRS-S - 1411190

Functional drawing



Assembly instructions:

Method 1

Slit the outer sheath after approximately 15 mm, but do not remove it. Guide the cable through the screw connection and then remove the outer sheath. Now withdraw the cable until a connection is established between the conductor shield and the contact spring.

Method 2

Push the braided shield back approximately 15 - 20 mm over the outer sheath. Insert the cable into the screw connection until a connection is established between the conductor shield and the contact spring.

Method 3

Uncover about 10 mm of the braided shield and guide the cable through the screw connection until a connection is established between the conductor shield and the contact spring.